

## Bellows suction cup (round)

SPB4 50 SI-55 G1/4-IG

Part no...:10.01.06.03535

<https://www.schmalz.com/10.01.06.03535>

Home > Vacuum Technology for Automation > Vacuum Components > Vacuum Suction Cups > Suction Cups for the Packaging Industry > Bellows Suction Cups SPB4 (4.5 Folds) > SPB4 50 SI-55 G1/4-IG

### Bellows suction cup (round) for very uneven workpieces



Size: 50

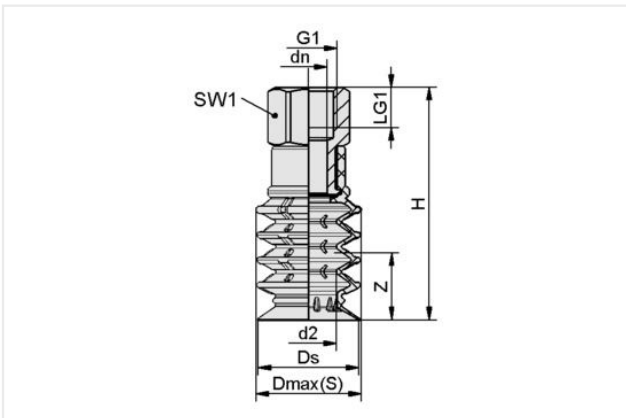
Suction cup material: Silicone SI

Material hardness [Shore A]: 55 Shore A

Thread G1: G1/4"-F

Number of folds: 4.5

### Design Data



Attribute	Value
d2	30 mm
dn	11.40 mm
Dmax(S)	51.50 mm
Ds	50.30 mm
G1	G1/4"-F
H	97.50 mm
LG1	12 mm
SW1	27 mm
Z (Stroke)	36.50 mm

### Technical Data

Attribute	Value
Suction force (-600mbar)	49.50 N
Pull-off force	62 N
Volume	64.55 cm <sup>3</sup>
Hose diameter (empf.) d	12 mm
Number of folds	4.50
Suction cup material	Silicone SI
Material hardness [Shore A]	55 Shore A
Size	50

### Contact Schmalz

Schmalz Sp.z.o.o. | ul. Fabianowska 131/A1, 62-052 Komorniki, Poland | +48 61 628 67 70 | [schmalz@schmalz.pl](mailto:schmalz@schmalz.pl)

## Bellows suction cup (round)

SPB4 50 SI-55 G1/4-IG

Part no...:10.01.06.03535

<https://www.schmalz.com/10.01.06.03535>

Weight	76 g
Product family	SPB4

### Accessories



#### SIEB 19.5x1 MS-A2 103

Part no...:10.07.01.00321

External diameter D: 19.5 mm

Length L: 1 mm

Material: Brass / Stainless steel

Filter pore size: 103 µm



#### SSB 20-32 ST-VZ

Part no...:10.07.10.00003

Clamping range: 20.0 ... 32.0 mm

Material: Steel

Surface: galvanised



#### SPI 42 PE SPB4-50

Part no...:10.01.06.02916

Size: 42

Material: Polyethylene

Use: SPB4-50

## Bellows suction cup (round)

SPB4 50 SI-55 G1/4-IG

Part no...:10.01.06.03535

<https://www.schmalz.com/10.01.06.03535>

### Spare parts



#### SC 090 G1/4-IG

Part no...:10.01.06.03273

Connection geometry: 090

Vacuum connection: G1/4"-F

Length L1: 37.5 mm

Fitting length: 21.5 mm

Nominal diameter dn: 11.4 mm



#### SPB4 50 SI-55 SC090

Part no...:10.01.06.02613

Size: 50

Suction cup material: Silicone SI

Material hardness [Shore A]: 55 Shore A

Number of folds: 4.5