

## Bellows suction cup (round)

SPB4 40 SI-55 G3/8-IG

Part no...:10.01.06.03530

<https://www.schmalz.com/10.01.06.03530>

Home > Vacuum Technology for Automation > Vacuum Components > Vacuum Suction Cups > Suction Cups for the Packaging Industry > Bellows Suction Cups SPB4 (4.5 Folds) > SPB4 40 SI-55 G3/8-IG

### Bellows suction cup (round) for very uneven workpieces



Size: 40

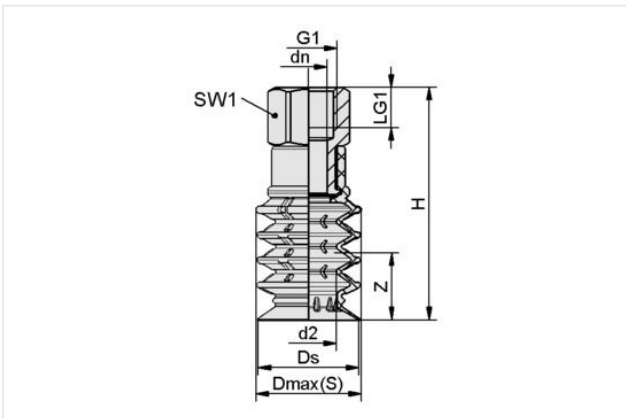
Suction cup material: Silicone SI

Material hardness [Shore A]: 55 Shore A

Thread G1: G3/8"-F

Number of folds: 4.5

### Design Data



Attribute	Value
d2	23 mm
dn	15 mm
Dmax(S)	41.50 mm
Ds	40.50 mm
G1	G3/8"-F
H	87.10 mm
LG1	12 mm
SW1	27 mm
Z (Stroke)	27 mm

### Technical Data

Attribute	Value
Suction force (-600mbar)	25 N
Pull-off force	39 N
Volume	35.74 cm <sup>3</sup>
Hose diameter (empf.) d	12 mm
Number of folds	4.50
Suction cup material	Silicone SI
Material hardness [Shore A]	55 Shore A
Size	40

### Contact Schmalz

Schmalz Sp.z.o.o. | ul. Fabianowska 131/A1, 62-052 Komorniki, Poland | +48 61 628 67 70 | [schmalz@schmalz.pl](mailto:schmalz@schmalz.pl)

## Bellows suction cup (round)

SPB4 40 SI-55 G3/8-IG

Part no...:10.01.06.03530

<https://www.schmalz.com/10.01.06.03530>

Weight	40.50 g
Product family	SPB4

### Accessories



#### SIEB 19.5x1 MS-A2 103

Part no...:10.07.01.00321

External diameter D: 19.5 mm

Length L: 1 mm

Material: Brass / Stainless steel

Filter pore size: 103 µm



#### SSB 20-32 ST-VZ

Part no...:10.07.10.00003

Clamping range: 20.0 ... 32.0 mm

Material: Steel

Surface: galvanised



#### SPI 32 PE SPB4-40

Part no...:10.01.06.02856

Size: 32

Material: Polyethylene

Use: SPB4-40

## Bellows suction cup (round)

SPB4 40 SI-55 G3/8-IG

Part no...:10.01.06.03530

<https://www.schmalz.com/10.01.06.03530>

### Spare parts



#### SC 090 G3/8-IG

Part no...:10.01.06.03274

Connection geometry: 090

Vacuum connection: G3/8"-F

Length L1: 37.5 mm

Fitting length: 21.5 mm

Nominal diameter dn: 15 mm



#### SPB4 40 SI-55 SC090

Part no...:10.01.06.02590

Size: 40

Suction cup material: Silicone SI

Material hardness [Shore A]: 55 Shore A

Number of folds: 4.5