

## Bellows suction cup (round)

SPB4 30 SI-55 G3/8-AG

Part no...:10.01.06.03522

<https://www.schmalz.com/10.01.06.03522>

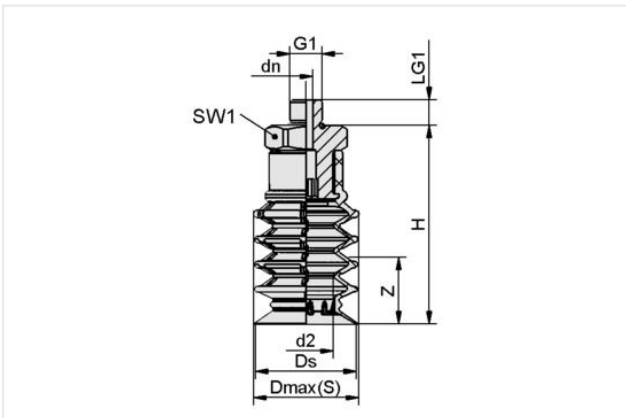
Home > Vacuum Technology for Automation > Vacuum Components > Vacuum Suction Cups > Suction Cups for the Packaging Industry > Bellows Suction Cups SPB4 (4.5 Folds) > SPB4 30 SI-55 G3/8-AG

### Bellows suction cup (round) for very uneven workpieces



Size: 30
Suction cup material: Silicone SI
Material hardness [Shore A]: 55 Shore A
Thread G1: G3/8"-M
Number of folds: 4.5

### Design Data



Attribute	Value
d2	17 mm
dn	10.30 mm
Dmax(S)	31.50 mm
Ds	30.20 mm
G1	G3/8"-M
H	59.50 mm
LG1	10 mm
SW1	22 mm
Z (Stroke)	20 mm

### Technical Data

Attribute	Value
Suction force (-600mbar)	16 N
Pull-off force	22 N
Volume	15.61 cm <sup>3</sup>
Hose diameter (empf.) d	9 mm
Number of folds	4.50
Suction cup material	Silicone SI
Material hardness [Shore A]	55 Shore A
Size	30

### Contact Schmalz

Schmalz Sp.z.o.o. | ul. Fabianowska 131/A1, 62-052 Komorniki, Poland | +48 61 628 67 70 | [schmalz@schmalz.pl](mailto:schmalz@schmalz.pl)

## Bellows suction cup (round)

SPB4 30 SI-55 G3/8-AG

Part no...:10.01.06.03522

<https://www.schmalz.com/10.01.06.03522>

Weight	27.40 g
Product family	SPB4

### Accessories



#### SIEB 17x0.8 MS-A2 103 0.103/0.07

Part no...:10.07.01.00320

External diameter D: 17 mm

Length L: 0.8 mm

Material: Brass / Stainless steel

Filter pore size: 103 µm



#### SSB 16-27 ST-VZ

Part no...:10.07.10.00002

Clamping range: 16.0 ... 27.0 mm

Material: Steel

Surface: galvanised



#### SPI 24 PE SPB4-30

Part no...:10.01.06.02855

Size: 24

Material: Polyethylene

Use: SPB4-30

## Bellows suction cup (round)

SPB4 30 SI-55 G3/8-AG

Part no...:10.01.06.03522

<https://www.schmalz.com/10.01.06.03522>

### Spare parts



#### SC 080 G3/8-AG

Part no...:10.01.06.02593

Connection geometry: 080

Vacuum connection: G3/8"-M

Length L1: 32 mm

Fitting length: 7.5 mm

Nominal diameter dn: 10.3 mm



#### SPB4 30 SI-55 SC080

Part no...:10.01.06.02589

Size: 30

Suction cup material: Silicone SI

Material hardness [Shore A]: 55 Shore A

Number of folds: 4.5