

Bellows suction cup (round)

SPB4 30 SI-55 G1/4-AG

Part no...:10.01.06.03521

<https://www.schmalz.com/10.01.06.03521>

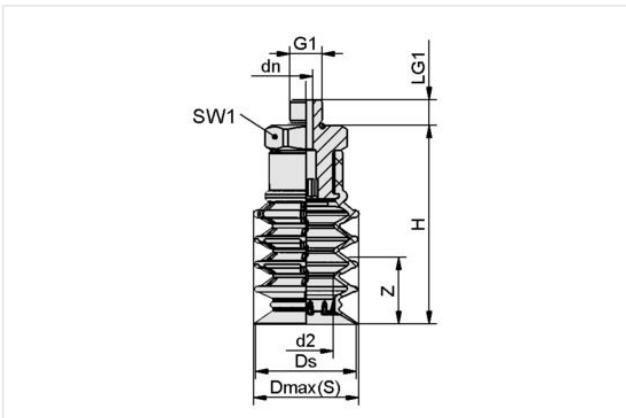
Home > Vacuum Technology for Automation > Vacuum Components > Vacuum Suction Cups > Suction Cups for the Packaging Industry > Bellows Suction Cups SPB4 (4.5 Folds) > SPB4 30 SI-55 G1/4-AG

Bellows suction cup (round) for very uneven workpieces



| |
|-----------------------------------------|
| Size: 30 |
| Suction cup material: Silicone SI |
| Material hardness [Shore A]: 55 Shore A |
| Thread G1: G1/4"-M |
| Number of folds: 4.5 |

Design Data



| Attribute | Value |
|------------|----------|
| d2 | 17 mm |
| dn | 8 mm |
| Dmax(S) | 31.50 mm |
| Ds | 30.20 mm |
| G1 | G1/4"-M |
| H | 59.50 mm |
| LG1 | 10 mm |
| SW1 | 22 mm |
| Z (Stroke) | 20 mm |

Technical Data

| Attribute | Value |
|-----------------------------|-----------------------|
| Suction force (-600mbar) | 16 N |
| Pull-off force | 22 N |
| Volume | 15.61 cm ³ |
| Hose diameter (empf.) d | 9 mm |
| Number of folds | 4.50 |
| Suction cup material | Silicone SI |
| Material hardness [Shore A] | 55 Shore A |
| Size | 30 |

Contact Schmalz

Schmalz Sp.z.o.o. | ul. Fabianowska 131/A1, 62-052 Komorniki, Poland | +48 61 628 67 70 | schmalz@schmalz.pl

Bellows suction cup (round)

SPB4 30 SI-55 G1/4-AG

Part no...:10.01.06.03521

<https://www.schmalz.com/10.01.06.03521>

| | |
|----------------|---------|
| Weight | 27.20 g |
| Product family | SPB4 |

Accessories



SIEB 17x0.8 MS-A2 103 0.103/0.07

Part no...:10.07.01.00320

External diameter D: 17 mm

Length L: 0.8 mm

Material: Brass / Stainless steel

Filter pore size: 103 µm



SSB 16-27 ST-VZ

Part no...:10.07.10.00002

Clamping range: 16.0 ... 27.0 mm

Material: Steel

Surface: galvanised



SPI 24 PE SPB4-30

Part no...:10.01.06.02855

Size: 24

Material: Polyethylene

Use: SPB4-30

Bellows suction cup (round)

SPB4 30 SI-55 G1/4-AG

Part no...:10.01.06.03521

<https://www.schmalz.com/10.01.06.03521>

Spare parts



SC 080 G1/4-AG

Part no...:10.01.06.03268

Connection geometry: 080

Vacuum connection: G1/4"-M

Length L1: 32 mm

Fitting length: 7.5 mm

Nominal diameter dn: 8 mm



SPB4 30 SI-55 SC080

Part no...:10.01.06.02589

Size: 30

Suction cup material: Silicone SI

Material hardness [Shore A]: 55 Shore A

Number of folds: 4.5