

Bellows suction cup (round)

SPB4 20 SI-55 G1/8-AG

Part no...:10.01.06.03514

<https://www.schmalz.com/10.01.06.03514>

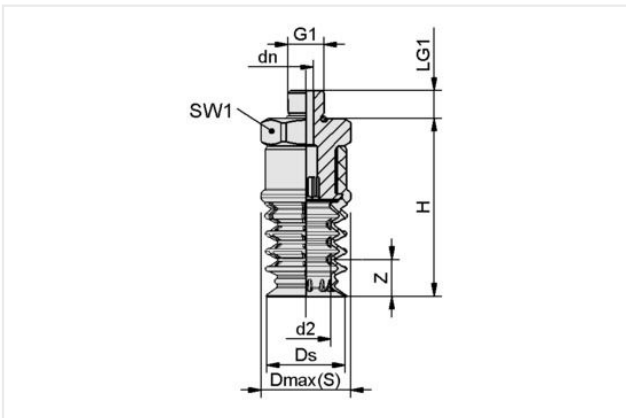
Home > Vacuum Technology for Automation > Vacuum Components > Area Gripping Systems and End Effectors > Vacuum End Effectors VEE > Suction Cups for Vacuum End Effectors > SPB4 20 SI-55 G1/8-AG

Bellows suction cup (round) for very uneven workpieces



Size: 20
Suction cup material: Silicone SI
Material hardness [Shore A]: 55 Shore A
Thread G1: G1/8"-M
Number of folds: 4.5

Design Data



Attribute	Value
d2	13.50 mm
dn	4 mm
Dmax(S)	24.40 mm
Ds	21.40 mm
G1	G1/8"-M
H	48.40 mm
LG1	7.50 mm
SW1	22 mm
Z (Stroke)	10 mm

Technical Data

Attribute	Value
Suction force (-600mbar)	8 N
Pull-off force	11 N
Volume	7.90 cm ³
Hose diameter (empf.) d	9 mm
Number of folds	4.50
Suction cup material	Silicone SI
Material hardness [Shore A]	55 Shore A
Size	20

Contact Schmalz

Schmalz Sp.z.o.o. | ul. Fabianowska 131/A1, 62-052 Komorniki, Poland | +48 61 628 67 70 | schmalz@schmalz.pl

Bellows suction cup (round)

SPB4 20 SI-55 G1/8-AG

Part no...:10.01.06.03514

<https://www.schmalz.com/10.01.06.03514>

Weight	23.20 g
Product family	SPB4

Accessories



SIEB 17x0.8 MS-A2 103 0.103/0.07

Part no...:10.07.01.00320

External diameter D: 17 mm

Length L: 0.8 mm

Material: Brass / Stainless steel

Filter pore size: 103 µm



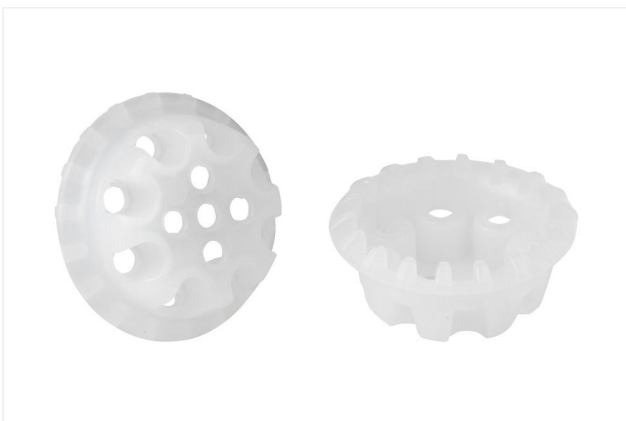
SSB 16-27 ST-VZ

Part no...:10.07.10.00002

Clamping range: 16.0 ... 27.0 mm

Material: Steel

Surface: galvanised



SPI 16 PE SPB4-20

Part no...:10.01.06.02915

Size: 16

Material: Polyethylene

Use: SPB4-20

Bellows suction cup (round)

SPB4 20 SI-55 G1/8-AG

Part no...:10.01.06.03514

<https://www.schmalz.com/10.01.06.03514>

Spare parts



SC 080 G1/8-AG

Part no...:10.01.06.03142

Connection geometry: 080

Vacuum connection: G1/8"-M

Length L1: 28 mm

Fitting length: 7.5 mm

Nominal diameter dn: 4 mm



SPB4 20 SI-55 SC080

Part no...:10.01.06.02588

Size: 20

Suction cup material: Silicone SI

Material hardness [Shore A]: 55 Shore A

Number of folds: 4.5