

Bellows suction cup (oval)

SPOB1 100x40 ED-65 G1/4-AG

Part no...:10.01.06.03512

<https://www.schmalz.com/10.01.06.03512>

Home > Vacuum Technology for Automation > Vacuum Components > Vacuum Suction Cups > Suction Cups for the Packaging Industry > Bellows Suction Cups SPOB1 (Oval, 1.5 Folds) > SPOB1 100x40 ED-65 G1/4-AG

Bellows suction cup (oval) with 1.5 corrug.for dynamic handling of cardboard and rigid packaging



Dimensions (LxB): 100 x 40

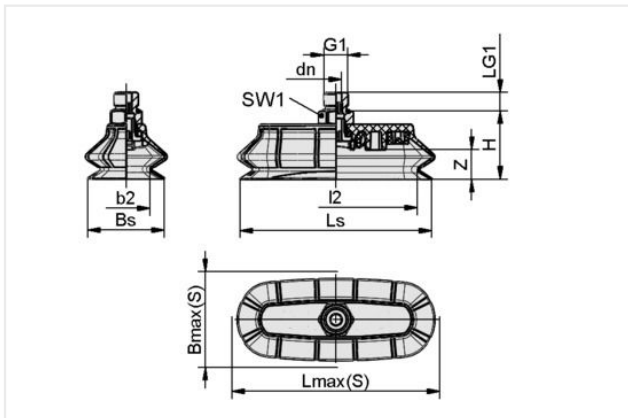
Suction cup material: Elastodur

Material hardness [Shore A]: 65 Shore A

Thread G1: G1/4"-M

Number of folds: 1.5

Design Data



Attribute	Value
b2	25.90 mm
Bmax(S)	52 mm
Bs	41.40 mm
dn	6.10 mm
G1	G1/4"-M
H	37 mm
l2	88.90 mm
LG1	10 mm
Lmax(S)	113 mm
Ls	104.40 mm
SW1	17 mm
Z (Stroke)	16 mm

Note: Acceptable dimensional tolerances for elastomer parts concerning to DIN ISO 3302-1 M3

Technical Data

Attribute	Value
Suction force (-600mbar)	111.20 N
Pull-off force	131.40 N
Lateral force	76.90 N
Volume	60.10 cm ³
Curve radius (min) (convex)	50 mm

Contact Schmalz

Schmalz Sp.z.o.o. | ul. Fabianowska 131/A1, 62-052 Komorniki, Poland | +48 61 628 67 70 | schmalz@schmalz.pl

Bellows suction cup (oval)

SPOB1 100x40 ED-65 G1/4-AG

Part no...:10.01.06.03512

<https://www.schmalz.com/10.01.06.03512>

Hose diameter (empf.) d	6 mm
Dimensions (LxB)	100 x 40
Number of folds	1.50
Suction cup material	Elastodur
Material hardness [Shore A]	65 Shore A
Weight	41 g
Product family	SPOB1

Note: Suction force: The specified suction forces are theoretical values at a vacuum of -0.6 bar and with a dry, smooth and flat workpiece surface - they do not include a safety factor
Hose diameter: The recommended hose diameter refers to a hose length of approx. 2 m

Accessories



SIEB 17.5x0.8 MS-A2 280 0.28/0.16

Part no...:10.07.01.00308

External diameter D: 17.5 mm

Length L: 0.8 mm

Material: Brass / Stainless steel

Filter pore size: 280 µm



SC-SW 60 6

Part no...:10.05.04.00096

Spanner size SW1: 6 mm

Bellows suction cup (oval)

SPOB1 100x40 ED-65 G1/4-AG

Part no...:10.01.06.03512

<https://www.schmalz.com/10.01.06.03512>



SC-SW 80 6

Part no...:10.05.04.00097

Spanner size SW1: 6 mm



SC-SW 100 6

Part no...:10.05.04.00098

Spanner size SW1: 6 mm



SC-SW 120 6

Part no...:10.05.04.00099

Spanner size SW1: 6 mm

Bellows suction cup (oval)

SPOB1 100x40 ED-65 G1/4-AG

Part no...:10.01.06.03512

<https://www.schmalz.com/10.01.06.03512>



SC-SW 200 6

Part no...:10.05.04.00100

Spanner size SW1: 6 mm



SC-SW 240 6

Part no...:10.05.04.00101

Spanner size SW1: 6 mm

Spare parts



SC 050-AR G1/4-AG MOD

Part no...:10.01.06.02491

Connection geometry: 050-AR

Vacuum connection: G1/4"-M

Length L1: 26.5 mm

Fitting length: 7.2 mm

Bellows suction cup (oval)

SPOB1 100x40 ED-65 G1/4-AG

Part no...:10.01.06.03512

<https://www.schmalz.com/10.01.06.03512>



SPOB1 100x40 ED-65 SC050-AR

Part no...:10.01.06.02461

Dimensions (LxB): 100 x 40

Suction cup material: Elastodur

Material hardness [Shore A]: 65 Shore A

Number of folds: 1.5



SPOB1 100x40 ED-65 SC050-AR

Part no...:10.01.06.02461

Dimensions (LxB): 100 x 40

Suction cup material: Elastodur

Material hardness [Shore A]: 65 Shore A

Number of folds: 1.5