

Bellows suction cup (oval)

SPOB1 60x20 ED-65 G1/8-IG

Part no...:10.01.06.03511

<https://www.schmalz.com/10.01.06.03511>

Home > Vacuum Technology for Automation > Vacuum Components > Vacuum Suction Cups > Suction Cups for the Packaging Industry > Bellows Suction Cups SPOB1 (Oval, 1.5 Folds) > SPOB1 60x20 ED-65 G1/8-IG

Bellows suction cup (oval) with 1.5 corrug.for dynamic handling of cardboard and rigid packaging



Dimensions (LxB): 60 x 20

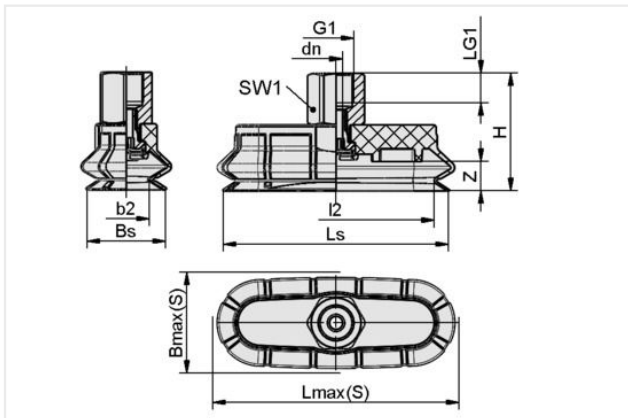
Suction cup material: Elastodur

Material hardness [Shore A]: 65 Shore A

Thread G1: G1/8"-F

Number of folds: 1.5

Design Data



Attribute	Value
b2	12.80 mm
Bmax(S)	27.50 mm
Bs	21.40 mm
dn	3.60 mm
G1	G1/8"-F
H	32 mm
L2	53.50 mm
LG1	8 mm
Lmax(S)	67 mm
Ls	61.40 mm
SW1	14 mm
Z (Stroke)	8 mm

Note: Acceptable dimensional tolerances for elastomer parts concerning to DIN ISO 3302-1 M3

Technical Data

Attribute	Value
Suction force (-600mbar)	32.50 N
Pull-off force	39.80 N
Lateral force	32.20 N
Volume	11 cm ³
Curve radius (min) (convex)	25 mm

Contact Schmalz

Schmalz Sp.z.o.o. | ul. Fabianowska 131/A1, 62-052 Komorniki, Poland | +48 61 628 67 70 | schmalz@schmalz.pl

Bellows suction cup (oval)

SPOB1 60x20 ED-65 G1/8-IG

Part no...:10.01.06.03511

<https://www.schmalz.com/10.01.06.03511>

Hose diameter (empf.) d	6 mm
Dimensions (LxB)	60 x 20
Number of folds	1.50
Suction cup material	Elastodur
Material hardness [Shore A]	65 Shore A
Weight	16 g
Product family	SPOB1

Note: Suction force: The specified suction forces are theoretical values at a vacuum of -0.6 bar and with a dry, smooth and flat workpiece surface - they do not include a safety factor
Hose diameter: The recommended hose diameter refers to a hose length of approx. 2 m

Accessories



SIEB 11x1 MS-A2 280 0.28/0.16

Part no...:10.07.01.00309

External diameter D: 11 mm

Length L: 1 mm

Material: Brass / Stainless steel

Filter pore size: 280 µm

Spare parts



SC 040-AR G1/8-IG MOD

Part no...:10.01.06.02496

Connection geometry: 040-AR

Vacuum connection: G1/8"-F

Length L1: 20.8 mm

Fitting length: 14 mm

Bellows suction cup (oval)

SPOB1 60x20 ED-65 G1/8-IG

Part no...:10.01.06.03511

<https://www.schmalz.com/10.01.06.03511>



SPOB1 60x20 ED-65 SC040-AR

Part no...:10.01.06.02462

Dimensions (LxB): 60 x 20

Suction cup material: Elastodur

Material hardness [Shore A]: 65 Shore A

Number of folds: 1.5



SPOB1 60x20 ED-65 SC040-AR

Part no...:10.01.06.02462

Dimensions (LxB): 60 x 20

Suction cup material: Elastodur

Material hardness [Shore A]: 65 Shore A

Number of folds: 1.5