

Bellows suction cups (round)

SPB2 50 ED-65 G1/4-IG

Part no...:10.01.06.03462

<https://www.schmalz.com/10.01.06.03462>

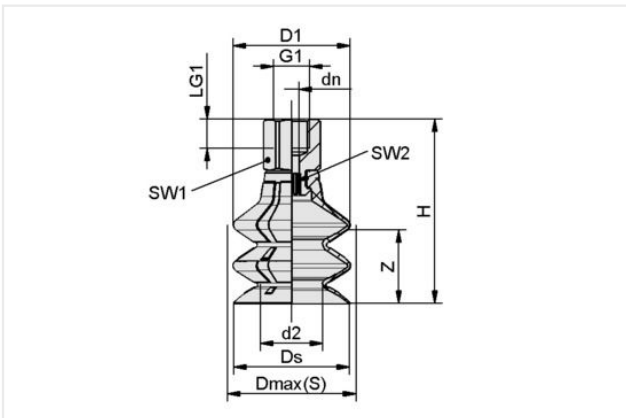
Home > Vacuum Technology for Automation > Vacuum Components > Vacuum Suction Cups > Suction Cups for the Packaging Industry > Bellows Suction Cups SPB2 (2.5 Folds) > SPB2 50 ED-65 G1/4-IG

Bellows suction cup (round) for very uneven workpieces



| |
|---|
| Size: 50 |
| Suction cup material: Elastodur |
| Material hardness [Shore A]: 65 Shore A |
| Thread G1: G1/4"-F |
| Number of folds: 2.5 |

Design Data



| Attribute | Value |
|------------|----------|
| d2 | 27.10 mm |
| dn | 6.10 mm |
| D1 | 52.20 mm |
| Dmax(S) | 55.50 mm |
| Ds | 51.30 mm |
| G1 | G1/4"-F |
| H | 73.10 mm |
| LG1 | 12 mm |
| SW1 | 17 mm |
| SW2 | 6 mm |
| Z (Stroke) | 32 mm |

Technical Data

| Attribute | Value |
|-----------------------------|-----------------------|
| Suction force (-600mbar) | 34.60 N |
| Pull-off force | 61.80 N |
| Lateral force | 28.50 N |
| Volume | 51.80 cm ³ |
| Curve radius (min) (convex) | 75 mm |
| Hose diameter (empf.) d | 6 mm |

Contact Schmalz

Schmalz Sp.z.o.o. | ul. Fabianowska 131/A1, 62-052 Komorniki, Poland | +48 61 628 67 70 | schmalz@schmalz.pl

Bellows suction cups (round)

SPB2 50 ED-65 G1/4-IG

Part no...:10.01.06.03462

<https://www.schmalz.com/10.01.06.03462>

| | |
|-----------------------------|------------|
| Size | 50 |
| Number of folds | 2.50 |
| Suction cup material | Elastodur |
| Material hardness [Shore A] | 65 Shore A |
| Weight | 32.80 g |
| Product family | SPB2 |

Note: Suction force: The specified suction forces are theoretical values with a dry, smooth and flat workpiece surface - they do not include safety factors

Accessories



SPI 50 PA SPB2-50

Part no...:10.01.06.04045

Size: 50

Material: Polyamide

Use: SPB2-50

Spare parts



SC 050 G1/4-IG MOD

Part no...:10.01.06.02488

Connection geometry: 050

Connection: G1/4"-F

Length L1: 26.5 mm

Fitting length: 17.2 mm

Nominal diameter dn: 6.1 mm

Bellows suction cups (round)

SPB2 50 ED-65 G1/4-IG

Part no...:10.01.06.03462

<https://www.schmalz.com/10.01.06.03462>



SPB2 50 ED-65 SC050

Part no...:10.01.06.03413

Size: 50

Suction cup material: Elastodur

Material hardness [Shore A]: 65 Shore A

Height H: 55.9 mm