

## Bellows suction cups (round)

SPB2 40 ED-65 G1/4-IG

Part no.:10.01.06.03460

<https://www.schmalz.com/10.01.06.03460>

Home > Vacuum Technology for Automation > Vacuum Components > Vacuum Suction Cups > Suction Cups for the Packaging Industry > Bellows Suction Cups SPB2 (2.5 Folds) > SPB2 40 ED-65 G1/4-IG

### Bellows suction cup (round) for very uneven workpieces



Size: 40

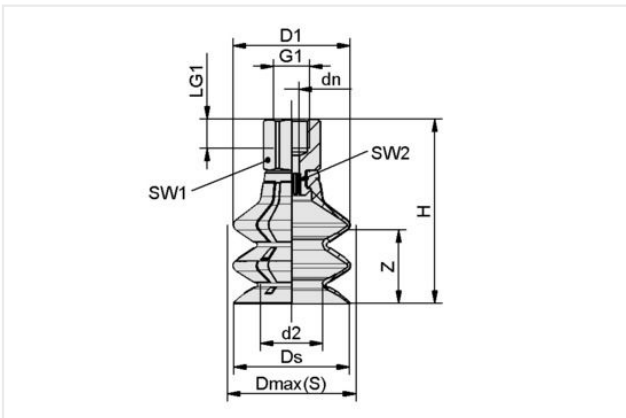
Suction cup material: Elastodur

Material hardness [Shore A]: 65 Shore A

Thread G1: G1/4"-F

Number of folds: 2.5

### Design Data



| Attribute  | Value    |
|------------|----------|
| d2         | 22.90 mm |
| dn         | 6.10 mm  |
| D1         | 42.20 mm |
| Dmax(S)    | 44.50 mm |
| Ds         | 41.30 mm |
| G1         | G1/4"-F  |
| H          | 62.20 mm |
| LG1        | 12 mm    |
| SW1        | 17 mm    |
| SW2        | 6 mm     |
| Z (Stroke) | 25 mm    |

### Technical Data

| Attribute                   | Value                 |
|-----------------------------|-----------------------|
| Suction force (-600mbar)    | 24.80 N               |
| Pull-off force              | 40.50 N               |
| Lateral force               | 20.30 N               |
| Volume                      | 27.90 cm <sup>3</sup> |
| Curve radius (min) (convex) | 60 mm                 |
| Hose diameter (empf.) d     | 6 mm                  |

### Contact Schmalz

Schmalz Sp.z.o.o. | ul. Fabianowska 131/A1, 62-052 Komorniki, Poland | +48 61 628 67 70 | [schmalz@schmalz.pl](mailto:schmalz@schmalz.pl)

## Bellows suction cups (round)

SPB2 40 ED-65 G1/4-IG

Part no...:10.01.06.03460

<https://www.schmalz.com/10.01.06.03460>

|                             |            |
|-----------------------------|------------|
| Size                        | 40         |
| Number of folds             | 2.50       |
| Suction cup material        | Elastodur  |
| Material hardness [Shore A] | 65 Shore A |
| Weight                      | 25 g       |
| Product family              | SPB2       |

Note: Suction force: The specified suction forces are theoretical values with a dry, smooth and flat workpiece surface - they do not include safety factors

### Accessories



#### SPI 40 PA SPB2-40

Part no...:10.01.06.04044

Size: 40

Material: Polyamide

Use: SPB2-40



#### SC 050 G1/8-AG MOD

Part no...:10.01.06.02849

Connection geometry: 050

Connection: G1/8"-M

Length L1: 24 mm

Fitting length: 7.2 mm

Nominal diameter dn: 4.4 mm

### Spare parts

#### Contact Schmalz

Schmalz Sp.z.o.o. | ul. Fabianowska 131/A1, 62-052 Komorniki, Poland | +48 61 628 67 70 | [schmalz@schmalz.pl](mailto:schmalz@schmalz.pl)

## Bellows suction cups (round)

SPB2 40 ED-65 G1/4-IG

Part no...:10.01.06.03460

<https://www.schmalz.com/10.01.06.03460>



### SC 050 G1/4-IG MOD

Part no...:10.01.06.02488

Connection geometry: 050

Connection: G1/4"-F

Length L1: 26.5 mm

Fitting length: 17.2 mm

Nominal diameter dn: 6.1 mm



### SPB2 40 ED-65 SC050

Part no...:10.01.06.03412

Size: 40

Suction cup material: Elastodur

Material hardness [Shore A]: 65 Shore A

Height H: 45 mm