

Bellows suction cups (round)

SPB2 40 ED-65 G1/4-AG

Part no...:10.01.06.03459

<https://www.schmalz.com/10.01.06.03459>

Home > Vacuum Technology for Automation > Vacuum Components > Area Gripping Systems and End Effectors > Vacuum End Effectors VEE > Suction Cups for Vacuum End Effectors > SPB2 40 ED-65 G1/4-AG

Bellows suction cup (round) for very uneven workpieces



Size: 40

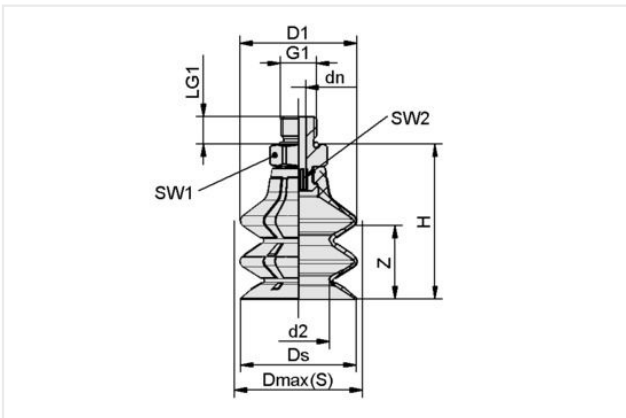
Suction cup material: Elastodur

Material hardness [Shore A]: 65 Shore A

Thread G1: G1/4"-M

Number of folds: 2.5

Design Data



Attribute	Value
d2	22.90 mm
dn	6.10 mm
D1	42.20 mm
Dmax(S)	44.50 mm
Ds	41.30 mm
G1	G1/4"-M
H	52.20 mm
LG1	10 mm
SW1	17 mm
SW2	6 mm
Z (Stroke)	25 mm

Technical Data

Attribute	Value
Suction force (-600mbar)	24.80 N
Pull-off force	40.50 N
Lateral force	20.30 N
Volume	27.90 cm ³
Curve radius (min) (convex)	60 mm
Hose diameter (empf.) d	6 mm

Contact Schmalz

Schmalz Sp.z.o.o. | ul. Fabianowska 131/A1, 62-052 Komorniki, Poland | +48 61 628 67 70 | schmalz@schmalz.pl

Bellows suction cups (round)

SPB2 40 ED-65 G1/4-AG

Part no...:10.01.06.03459

<https://www.schmalz.com/10.01.06.03459>

Size	40
Number of folds	2.50
Suction cup material	Elastodur
Material hardness [Shore A]	65 Shore A
Weight	23.10 g
Product family	SPB2

Note: Suction force: The specified suction forces are theoretical values with a dry, smooth and flat workpiece surface - they do not include safety factors

Accessories



SPI 40 PA SPB2-40

Part no...:10.01.06.04044

Size: 40

Material: Polyamide

Use: SPB2-40



SC 050 G1/8-AG MOD

Part no...:10.01.06.02849

Connection geometry: 050

Connection: G1/8"-M

Length L1: 24 mm

Fitting length: 7.2 mm

Nominal diameter dn: 4.4 mm

Bellows suction cups (round)

SPB2 40 ED-65 G1/4-AG

Part no...:10.01.06.03459

<https://www.schmalz.com/10.01.06.03459>



SC-SW 60 6

Part no...:10.05.04.00096

Spanner size SW1: 6 mm



SC-SW 80 6

Part no...:10.05.04.00097

Spanner size SW1: 6 mm



SC-SW 100 6

Part no...:10.05.04.00098

Spanner size SW1: 6 mm

Bellows suction cups (round)

SPB2 40 ED-65 G1/4-AG

Part no...:10.01.06.03459

<https://www.schmalz.com/10.01.06.03459>



SC-SW 120 6

Part no...:10.05.04.00099

Spanner size SW1: 6 mm



SC-SW 200 6

Part no...:10.05.04.00100

Spanner size SW1: 6 mm



SC-SW 240 6

Part no...:10.05.04.00101

Spanner size SW1: 6 mm

Spare parts

Contact Schmalz

Schmalz Sp.z.o.o. | ul. Fabianowska 131/A1, 62-052 Komorniki, Poland | +48 61 628 67 70 | schmalz@schmalz.pl

Bellows suction cups (round)

SPB2 40 ED-65 G1/4-AG

Part no...:10.01.06.03459

<https://www.schmalz.com/10.01.06.03459>



SC 050 G1/4-AG MOD

Part no...:10.01.06.02487

Connection geometry: 050

Connection: G1/4"-M

Length L1: 26.5 mm

Fitting length: 7.2 mm

Nominal diameter dn: 6.1 mm



SPB2 40 ED-65 SC050

Part no...:10.01.06.03412

Size: 40

Suction cup material: Elastodur

Material hardness [Shore A]: 65 Shore A

Height H: 45 mm