

## Bellows suction cups (round)

SPB2 30 ED-65 G1/8-IG

Part no...:10.01.06.03458

<https://www.schmalz.com/10.01.06.03458>

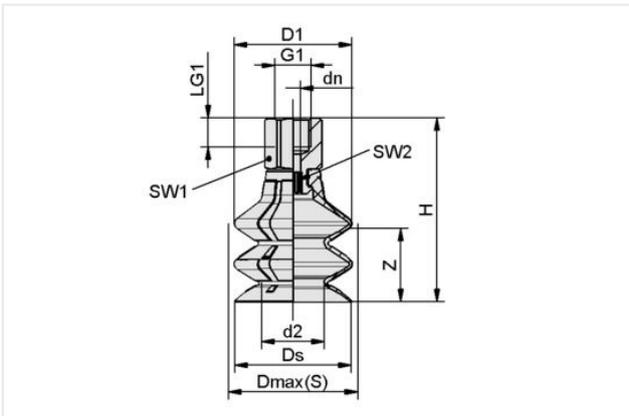
Home > Vacuum Technology for Automation > Vacuum Components > Vacuum Suction Cups > Suction Cups for the Packaging Industry > Bellows Suction Cups SPB2 (2.5 Folds) > SPB2 30 ED-65 G1/8-IG

### Bellows suction cup (round) for very uneven workpieces



Size: 30
Suction cup material: Elastodur
Material hardness [Shore A]: 65 Shore A
Thread G1: G1/8"-F
Number of folds: 2.5

### Design Data



Attribute	Value
d2	16.90 mm
dn	4 mm
D1	32.20 mm
Dmax(S)	34 mm
Ds	31.40 mm
G1	G1/8"-F
H	50.20 mm
LG1	8 mm
SW1	14 mm
SW2	4 mm
Z (Stroke)	20 mm

### Technical Data

Attribute	Value
Suction force (-600mbar)	14.40 N
Pull-off force	28.40 N
Lateral force	12.80 N
Volume	12.40 cm <sup>3</sup>
Curve radius (min) (convex)	30 mm
Hose diameter (empf.) d	6 mm

### Contact Schmalz

Schmalz Sp.z.o.o. | ul. Fabianowska 131/A1, 62-052 Komorniki, Poland | +48 61 628 67 70 | [schmalz@schmalz.pl](mailto:schmalz@schmalz.pl)

## Bellows suction cups (round)

SPB2 30 ED-65 G1/8-IG

Part no...:10.01.06.03458

<https://www.schmalz.com/10.01.06.03458>

Size	30
Number of folds	2.50
Suction cup material	Elastodur
Material hardness [Shore A]	65 Shore A
Weight	10.50 g
Product family	SPB2

Note: Suction force: The specified suction forces are theoretical values with a dry, smooth and flat workpiece surface - they do not include safety factors

### Accessories



#### SPI 30 PA SPB2-30

Part no...:10.01.06.04043

Size: 30

Material: Polyamide

Use: SPB2-30

### Spare parts



#### SC 040 G1/8-IG

Part no...:10.01.06.02482

Connection geometry: 040

Connection: G1/8"-F

Length L1: 20.7 mm

Fitting length: 14 mm

Nominal diameter dn: 4.1 mm

## Bellows suction cups (round)

SPB2 30 ED-65 G1/8-IG

Part no...:10.01.06.03458

<https://www.schmalz.com/10.01.06.03458>



**SPB2 30 ED-65 SC040**

Part no...:10.01.06.03411

Size: 30

Suction cup material: Elastodur

Material hardness [Shore A]: 65 Shore A

Height H: 36.2 mm