

Bellows suction cups (round)

SPB2 25 ED-65 G1/8-AG

Part no...:10.01.06.03455

<https://www.schmalz.com/10.01.06.03455>

Home > Vacuum Technology for Automation > Vacuum Components > Area Gripping Systems and End Effectors > Vacuum End Effectors VEE > Suction Cups for Vacuum End Effectors > SPB2 25 ED-65 G1/8-AG

Bellows suction cup (round) for very uneven workpieces



Size: 25

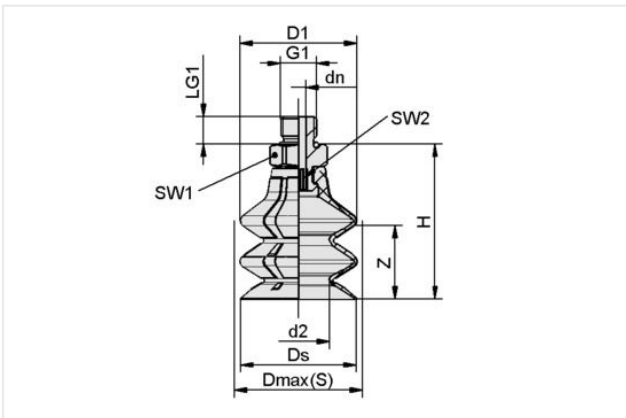
Suction cup material: Elastodur

Material hardness [Shore A]: 65 Shore A

Thread G1: G1/8"-M

Number of folds: 2.5

Design Data



Attribute	Value
d2	14.50 mm
dn	4 mm
D1	27.20 mm
Dmax(S)	28 mm
Ds	26.40 mm
G1	G1/8"-M
H	36.90 mm
LG1	7.50 mm
SW1	14 mm
SW2	4 mm
Z (Stroke)	17 mm

Technical Data

Attribute	Value
Suction force (-600mbar)	9.90 N
Pull-off force	20.10 N
Lateral force	9.10 N
Volume	7.60 cm ³
Curve radius (min) (convex)	20 mm
Hose diameter (empf.) d	4 mm

Contact Schmalz

Schmalz Sp.z.o.o. | ul. Fabianowska 131/A1, 62-052 Komorniki, Poland | +48 61 628 67 70 | schmalz@schmalz.pl

Bellows suction cups (round)

SPB2 25 ED-65 G1/8-AG

Part no...:10.01.06.03455

<https://www.schmalz.com/10.01.06.03455>

Size	25
Number of folds	2.50
Suction cup material	Elastodur
Material hardness [Shore A]	65 Shore A
Weight	7.60 g
Product family	SPB2

Note: Suction force: The specified suction forces are theoretical values with a dry, smooth and flat workpiece surface - they do not include safety factors

Accessories



SPI 25 PA SPB2-25

Part no...:10.01.06.04042

Size: 25

Material: Polyamide

Use: SPB2-25

Spare parts



SC 040 G1/8-AG

Part no...:10.01.06.02490

Connection geometry: 040

Connection: G1/8"-M

Length L1: 20.2 mm

Fitting length: 6 mm

Nominal diameter dn: 4.1 mm

Bellows suction cups (round)

SPB2 25 ED-65 G1/8-AG

Part no...:10.01.06.03455

<https://www.schmalz.com/10.01.06.03455>



SPB2 25 ED-65 SC040

Part no...:10.01.06.03410

Size: 25

Suction cup material: Elastodur

Material hardness [Shore A]: 65 Shore A

Height H: 30.9 mm