

## Bellows suction cups (round)

SPB2 20 ED-65 G1/8-AG

Part no...:10.01.06.03453

<https://www.schmalz.com/10.01.06.03453>

Home > Vacuum Technology for Automation > Vacuum Components > Area Gripping Systems and End Effectors > Vacuum End Effectors VEE > Suction Cups for Vacuum End Effectors > SPB2 20 ED-65 G1/8-AG

### Bellows suction cup (round) for very uneven workpieces



Size: 20

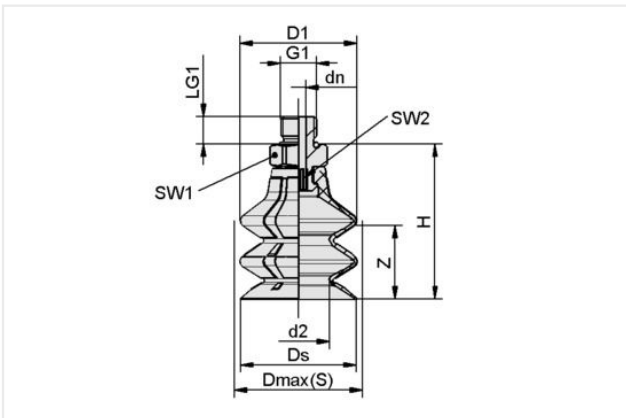
Suction cup material: Elastodur

Material hardness [Shore A]: 65 Shore A

Thread G1: G1/8"-M

Number of folds: 2.5

### Design Data



Attribute	Value
d2	12 mm
dn	4 mm
D1	22.10 mm
Dmax(S)	23.50 mm
Ds	21.40 mm
G1	G1/8"-M
H	31.30 mm
LG1	7.50 mm
SW1	14 mm
SW2	4 mm
Z (Stroke)	13 mm

### Technical Data

Attribute	Value
Suction force (-600mbar)	6.80 N
Pull-off force	15.70 N
Lateral force	8.40 N
Volume	4.20 cm <sup>3</sup>
Curve radius (min) (convex)	20 mm
Hose diameter (empf.) d	4 mm

### Contact Schmalz

Schmalz Sp.z.o.o. | ul. Fabianowska 131/A1, 62-052 Komorniki, Poland | +48 61 628 67 70 | [schmalz@schmalz.pl](mailto:schmalz@schmalz.pl)

## Bellows suction cups (round)

SPB2 20 ED-65 G1/8-AG

Part no...:10.01.06.03453

<https://www.schmalz.com/10.01.06.03453>

Size	20
Number of folds	2.50
Suction cup material	Elastodur
Material hardness [Shore A]	65 Shore A
Weight	6.50 g
Product family	SPB2

Note: Suction force: The specified suction forces are theoretical values with a dry, smooth and flat workpiece surface - they do not include safety factors

### Accessories



#### SPI 20 PA SPB2-20

Part no...:10.01.06.04041

Size: 20

Material: Polyamide

Use: SPB2-20

### Spare parts



#### SC 040 G1/8-AG

Part no...:10.01.06.02490

Connection geometry: 040

Connection: G1/8"-M

Length L1: 20.2 mm

Fitting length: 6 mm

Nominal diameter dn: 4.1 mm

## Bellows suction cups (round)

SPB2 20 ED-65 G1/8-AG

Part no...:10.01.06.03453

<https://www.schmalz.com/10.01.06.03453>



**SPB2 20 ED-65 SC040**

Part no...:10.01.06.03409

Size: 20

Suction cup material: Elastodur

Material hardness [Shore A]: 65 Shore A

Height H: 25.3 mm