

Bellows suction cup (round)

SPB2 50 ED-65 SC050

Part no...:10.01.06.03413

<https://www.schmalz.com/10.01.06.03413>

Home > Vacuum Technology for Automation > Vacuum Components > Vacuum Suction Cups > Suction Cups for the Packaging Industry > SPB2 50 ED-65 SC050

Bellows suction cup (round) with 2.5 corr. for dynamic handling of cardboard and rigid packaging



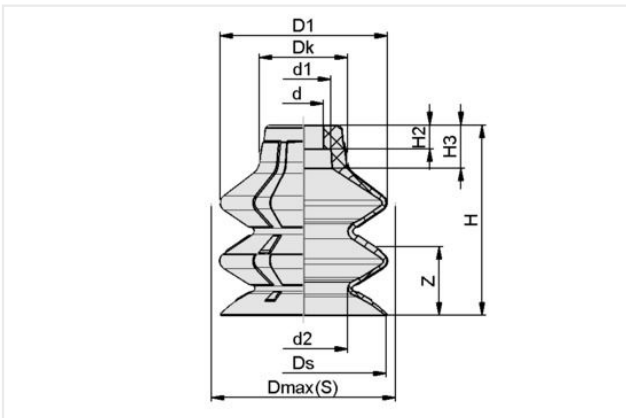
Size: 50

Suction cup material: Elastodur

Material hardness [Shore A]: 65 Shore A

Height H: 55.9 mm

Design Data



Attribute	Value
d	11 mm
d1	17.30 mm
d2	27.10 mm
D1	52.20 mm
Dk	23.50 mm
Dmax(S)	55.50 mm
Ds	51.30 mm
H	55.90 mm
H2	7 mm
H3	11.60 mm
Z (Stroke)	32 mm

Technical Data

Attribute	Value
Suction force (-600mbar)	34.60 N
Pull-off force	61.80 N
Lateral force	28.50 N
Volume	51.80 cm ³
Curve radius (min) (convex)	75 mm
Hose diameter (empf.) d	6 mm

Contact Schmalz

Schmalz Sp.z.o.o. | ul. Fabianowska 131/A1, 62-052 Komorniki, Poland | +48 61 628 67 70 | schmalz@schmalz.pl

Bellows suction cup (round)

SPB2 50 ED-65 SC050

Part no...:10.01.06.03413

<https://www.schmalz.com/10.01.06.03413>

Size	50
Nipple family	SC 050
Number of folds	2.50
Suction cup material	Elastodur
Material hardness [Shore A]	65 Shore A
Weight	18.30 g
Product family	SPB2

Accessories



SC 050 G1/4-AG MOD

Part no...:10.01.06.02487

Connection geometry: 050

Connection: G1/4"-M

Length L1: 26.5 mm

Fitting length: 7.2 mm

Nominal diameter dn: 6.1 mm



SC 050 G1/4-IG MOD

Part no...:10.01.06.02488

Connection geometry: 050

Connection: G1/4"-F

Length L1: 26.5 mm

Fitting length: 17.2 mm

Nominal diameter dn: 6.1 mm

Bellows suction cup (round)

SPB2 50 ED-65 SC050

Part no...:10.01.06.03413

<https://www.schmalz.com/10.01.06.03413>



SPI 50 PA SPB2-50

Part no...:10.01.06.04045

Size: 50

Material: Polyamide

Use: SPB2-50



SC 050-AR NPT1/4-AG MOD

Part no...:10.01.06.02543

Connection geometry: 050-AR

Connection: NPT1/4-M

Length L1: 29 mm

Fitting length: 7.5 mm

Nominal diameter dn: 6.1 mm



SC 050-AR NPT1/4-IG MOD

Part no...:10.01.06.02546

Connection geometry: 050-AR

Connection: NPT1/4-F

Length L1: 28.5 mm

Fitting length: 19.2 mm

Nominal diameter dn: 6.1 mm