

## Bellows suction cup (round)

SPB2 40 ED-65 SC050

Part no...:10.01.06.03412

<https://www.schmalz.com/10.01.06.03412>

Home > Vacuum Technology for Automation > Vacuum Components > Vacuum Suction Cups > Suction Cups for the Packaging Industry > SPB2 40 ED-65 SC050

### Bellows suction cup (round) with 2.5 corr. for dynamic handling of cardboard and rigid packaging



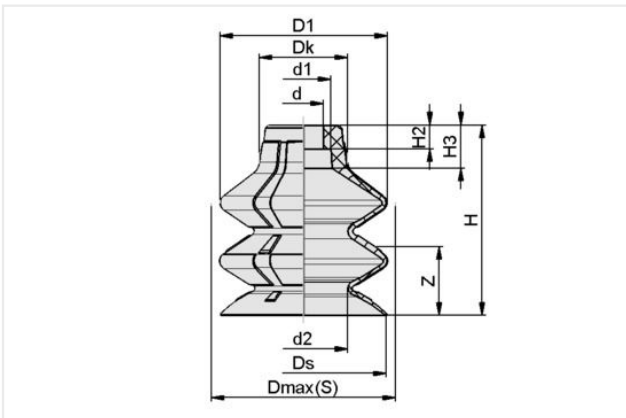
Size: 40

Suction cup material: Elastodur

Material hardness [Shore A]: 65 Shore A

Height H: 45 mm

### Design Data



Attribute	Value
d	11 mm
d1	17.30 mm
d2	22.90 mm
D1	42.20 mm
Dk	22.50 mm
Dmax(S)	44.50 mm
Ds	41.30 mm
H	45 mm
H2	7 mm
H3	9.90 mm
Z (Stroke)	25 mm

### Technical Data

Attribute	Value
Suction force (-600mbar)	24.80 N
Pull-off force	40.50 N
Lateral force	20.30 N
Volume	27.90 cm <sup>3</sup>
Curve radius (min) (convex)	60 mm
Hose diameter (empf.) d	6 mm

### Contact Schmalz

Schmalz Sp.z.o.o. | ul. Fabianowska 131/A1, 62-052 Komorniki, Poland | +48 61 628 67 70 | [schmalz@schmalz.pl](mailto:schmalz@schmalz.pl)

## Bellows suction cup (round)

SPB2 40 ED-65 SC050

Part no...:10.01.06.03412

<https://www.schmalz.com/10.01.06.03412>

Size	40
Nipple family	SC 050
Number of folds	2.50
Suction cup material	Elastodur
Material hardness [Shore A]	65 Shore A
Weight	10.50 g
Product family	SPB2

### Accessories



#### SC 050 G1/4-AG MOD

Part no...:10.01.06.02487

Connection geometry: 050

Connection: G1/4"-M

Length L1: 26.5 mm

Fitting length: 7.2 mm

Nominal diameter dn: 6.1 mm



#### SC 050 G1/4-IG MOD

Part no...:10.01.06.02488

Connection geometry: 050

Connection: G1/4"-F

Length L1: 26.5 mm

Fitting length: 17.2 mm

Nominal diameter dn: 6.1 mm

## Bellows suction cup (round)

SPB2 40 ED-65 SC050

Part no...:10.01.06.03412

<https://www.schmalz.com/10.01.06.03412>



### SC 050-AR NPT1/4-AG MOD

Part no...:10.01.06.02543

Connection geometry: 050-AR

Connection: NPT1/4-M

Length L1: 29 mm

Fitting length: 7.5 mm

Nominal diameter dn: 6.1 mm



### SC 050-AR NPT1/4-IG MOD

Part no...:10.01.06.02546

Connection geometry: 050-AR

Connection: NPT1/4-F

Length L1: 28.5 mm

Fitting length: 19.2 mm

Nominal diameter dn: 6.1 mm



### SC 050 G1/8-AG MOD

Part no...:10.01.06.02849

Connection geometry: 050

Connection: G1/8"-M

Length L1: 24 mm

Fitting length: 7.2 mm

Nominal diameter dn: 4.4 mm