

Bellows suction cup (round)

SPB2 30 ED-65 SC040

Part no...:10.01.06.03411

<https://www.schmalz.com/10.01.06.03411>

Home > Vacuum Technology for Automation > Vacuum Components > Vacuum Suction Cups > Suction Cups for the Packaging Industry > SPB2 30 ED-65 SC040

Bellows suction cup (round) with 2.5 corr. for dynamic handling of cardboard and rigid packaging



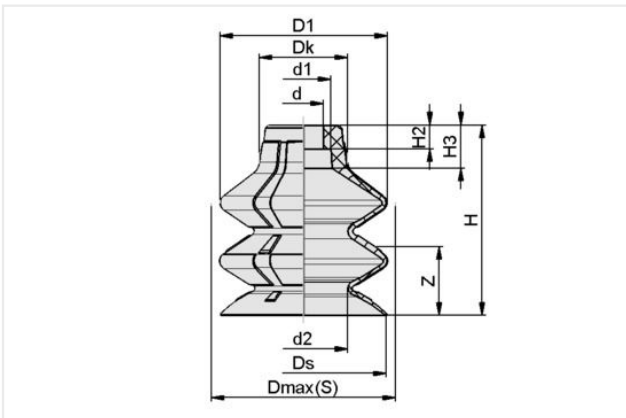
Size: 30

Suction cup material: Elastodur

Material hardness [Shore A]: 65 Shore A

Height H: 36.2 mm

Design Data



| Attribute | Value |
|------------|----------|
| d | 7.50 mm |
| d1 | 10.50 mm |
| d2 | 16.90 mm |
| D1 | 32.20 mm |
| Dk | 16.80 mm |
| Dmax(S) | 34 mm |
| Ds | 31.40 mm |
| H | 36.20 mm |
| H2 | 4.60 mm |
| H3 | 7.90 mm |
| Z (Stroke) | 20 mm |

Technical Data

| Attribute | Value |
|-----------------------------|-----------------------|
| Suction force (-600mbar) | 14.40 N |
| Pull-off force | 28.40 N |
| Lateral force | 12.80 N |
| Volume | 12.40 cm ³ |
| Curve radius (min) (convex) | 30 mm |
| Hose diameter (empf.) d | 6 mm |

Contact Schmalz

Schmalz Sp.z.o.o. | ul. Fabianowska 131/A1, 62-052 Komorniki, Poland | +48 61 628 67 70 | schmalz@schmalz.pl

Bellows suction cup (round)

SPB2 30 ED-65 SC040

Part no...:10.01.06.03411

<https://www.schmalz.com/10.01.06.03411>

| | |
|-----------------------------|------------|
| Size | 30 |
| Nipple family | SC 040 |
| Number of folds | 2.50 |
| Suction cup material | Elastodur |
| Material hardness [Shore A] | 65 Shore A |
| Weight | 5.10 g |
| Product family | SPB2 |

Accessories



SC 040 G1/8-AG

Part no...:10.01.06.02490

Connection geometry: 040

Connection: G1/8"-M

Length L1: 20.2 mm

Fitting length: 6 mm

Nominal diameter dn: 4.1 mm



SC 040 G1/8-IG

Part no...:10.01.06.02482

Connection geometry: 040

Connection: G1/8"-F

Length L1: 20.7 mm

Fitting length: 14 mm

Nominal diameter dn: 4.1 mm

Bellows suction cup (round)

SPB2 30 ED-65 SC040

Part no...:10.01.06.03411

<https://www.schmalz.com/10.01.06.03411>



SPI 30 PA SPB2-30

Part no...:10.01.06.04043

Size: 30

Material: Polyamide

Use: SPB2-30



SC 040 NPT1/8-AG

Part no...:10.01.06.02541

Connection geometry: 040

Connection: NPT1/8-M

Length L1: 20.9 mm

Fitting length: 6 mm

Nominal diameter dn: 4.1 mm



SC 040 NPT1/8-IG

Part no...:10.01.06.02542

Connection geometry: 040

Connection: NPT1/8-F

Length L1: 20.7 mm

Fitting length: 14 mm

Nominal diameter dn: 4.1 mm