

Bellows suction cup (round)

SPB2 20 ED-65 SC040

Part no...:10.01.06.03409

<https://www.schmalz.com/10.01.06.03409>

Home > Vacuum Technology for Automation > Vacuum Components > Vacuum Suction Cups > Suction Cups for the Packaging Industry > SPB2 20 ED-65 SC040

Bellows suction cup (round) with 2.5 corr. for dynamic handling of cardboard and rigid packaging



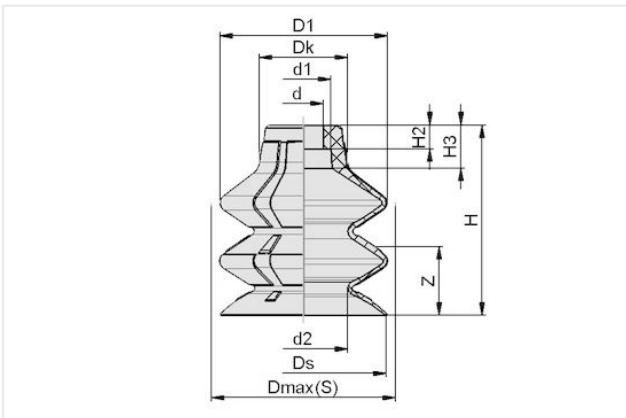
Size: 20

Suction cup material: Elastodur

Material hardness [Shore A]: 65 Shore A

Height H: 25.3 mm

Design Data



Attribute	Value
d	7.50 mm
d1	10.50 mm
d2	12 mm
D1	22.20 mm
Dk	15 mm
Dmax(S)	23.50 mm
Ds	21.40 mm
H	25.30 mm
H2	4.60 mm
H3	7 mm
Z (Stroke)	13 mm

Technical Data

Attribute	Value
Suction force (-600mbar)	6.80 N
Pull-off force	15.70 N
Lateral force	8.40 N
Volume	4.20 cm ³
Curve radius (min) (convex)	20 mm
Hose diameter (empf.) d	4 mm

Contact Schmalz

Schmalz Sp.z.o.o. | ul. Fabianowska 131/A1, 62-052 Komorniki, Poland | +48 61 628 67 70 | schmalz@schmalz.pl

Bellows suction cup (round)

SPB2 20 ED-65 SC040

Part no...:10.01.06.03409

<https://www.schmalz.com/10.01.06.03409>

Size	20
Nipple family	SC 040
Number of folds	2.50
Suction cup material	Elastodur
Material hardness [Shore A]	65 Shore A
Weight	2.10 g
Product family	SPB2

Accessories



SC 040 G1/8-AG

Part no...:10.01.06.02490

Connection geometry: 040

Connection: G1/8"-M

Length L1: 20.2 mm

Fitting length: 6 mm

Nominal diameter dn: 4.1 mm



SC 040 G1/8-IG

Part no...:10.01.06.02482

Connection geometry: 040

Connection: G1/8"-F

Length L1: 20.7 mm

Fitting length: 14 mm

Nominal diameter dn: 4.1 mm

Bellows suction cup (round)

SPB2 20 ED-65 SC040

Part no...:10.01.06.03409

<https://www.schmalz.com/10.01.06.03409>



SC 040 NPT1/8-AG

Part no...:10.01.06.02541

Connection geometry: 040

Connection: NPT1/8-M

Length L1: 20.9 mm

Fitting length: 6 mm

Nominal diameter dn: 4.1 mm



SC 040 NPT1/8-IG

Part no...:10.01.06.02542

Connection geometry: 040

Connection: NPT1/8-F

Length L1: 20.7 mm

Fitting length: 14 mm

Nominal diameter dn: 4.1 mm