

Bellows suction cup SI-HD (round)

SPB4 40 SI-HD-65 SC090

Part no...:10.01.06.03379

<https://www.schmalz.com/10.01.06.03379>

Home > Vacuum Technology for Automation > Vacuum Components > Vacuum Suction Cups > Suction Cups for the Packaging Industry > SPB4 40 SI-HD-65 SC090

Bellows suction cup (round) with 4.5 folds for wear-resistant handling



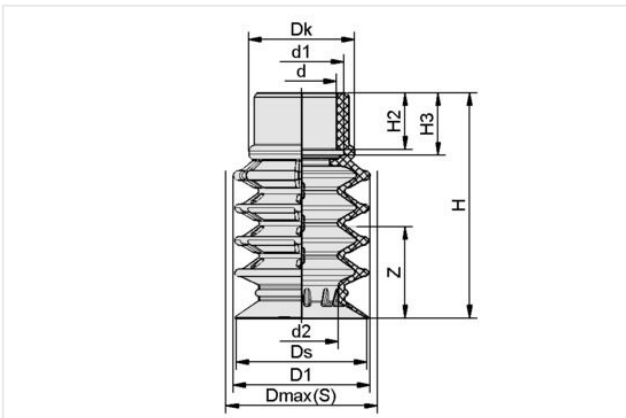
Size: 40

Suction cup material: Silicone SI-HD

Material hardness [Shore A]: 65 Shore A

Number of folds: 4.5

Design Data



Attribute	Value
d	20 mm
d1	24.80 mm
d2	23 mm
D1	41 mm
Dk	31 mm
Dmax(S)	41.50 mm
Ds	40.50 mm
H	65.60 mm
H2	14 mm
H3	16 mm
Z (Stroke)	27 mm

Note: Acceptable dimensional tolerances for elastomer parts concerning to DIN ISO 3302-1 M3

Technical Data

Attribute	Value
Suction force at -200 mbar	8.30 N
Suction force at -400 mbar	16.60 N
Suction force (-600mbar)	25 N
Pull-off force at -200 mbar	14.10 N
Pull-off force at -400 mbar	23 N

Contact Schmalz

Schmalz Sp.z.o.o. | ul. Fabianowska 131/A1, 62-052 Komorniki, Poland | +48 61 628 67 70 | schmalz@schmalz.pl

Bellows suction cup SI-HD (round)

SPB4 40 SI-HD-65 SC090

Part no...:10.01.06.03379

<https://www.schmalz.com/10.01.06.03379>

Volume	35.74 cm ³
Size	40
Nipple family	SC 090
Number of folds	4.50
Suction cup material	Silicone SI-HD
Material hardness [Shore A]	65 Shore A
Weight	21.30 g
Product family	SPB4

Note: Suction force: The specified suction forces are theoretical values with a dry, smooth and flat workpiece surface - they do not include a safety factor

Accessories



SC 090 G1/2-AG

Part no...:10.01.06.02595

Connection geometry: 090

Vacuum connection: G1/2"-M

Length L1: 37.5 mm

Fitting length: 7.5 mm

Nominal diameter dn: 15 mm



SC 090 G1/2-IG

Part no...:10.01.06.02596

Connection geometry: 090

Vacuum connection: G1/2"-F

Length L1: 37.5 mm

Fitting length: 21.5 mm

Nominal diameter dn: 15 mm

Bellows suction cup SI-HD (round)

SPB4 40 SI-HD-65 SC090

Part no...:10.01.06.03379

<https://www.schmalz.com/10.01.06.03379>



SC 090 G1/4-AG

Part no...:10.01.06.02793

Connection geometry: 090

Vacuum connection: G1/4"-M

Length L1: 33.5 mm

Fitting length: 7.5 mm

Nominal diameter dn: 8 mm



SC 090 G1/4-IG

Part no...:10.01.06.03273

Connection geometry: 090

Vacuum connection: G1/4"-F

Length L1: 37.5 mm

Fitting length: 21.5 mm

Nominal diameter dn: 11.4 mm



SC 090 G1/8-AG

Part no...:10.01.06.03269

Connection geometry: 090

Vacuum connection: G1/8"-M

Length L1: 31 mm

Fitting length: 7.5 mm

Nominal diameter dn: 4 mm

Bellows suction cup SI-HD (round)

SPB4 40 SI-HD-65 SC090

Part no...:10.01.06.03379

<https://www.schmalz.com/10.01.06.03379>



SC 090 G1/8-IG

Part no...:10.01.06.03272

Connection geometry: 090

Vacuum connection: G1/8"-F

Length L1: 37.5 mm

Fitting length: 21.5 mm

Nominal diameter dn: 8.6 mm



SC 090 G3/8-AG

Part no...:10.01.06.02791

Connection geometry: 090

Vacuum connection: G3/8"-M

Length L1: 33.5 mm

Fitting length: 7.5 mm

Nominal diameter dn: 10.3 mm



SC 090 G3/8-IG

Part no...:10.01.06.03274

Connection geometry: 090

Vacuum connection: G3/8"-F

Length L1: 37.5 mm

Fitting length: 21.5 mm

Nominal diameter dn: 15 mm

Bellows suction cup SI-HD (round)

SPB4 40 SI-HD-65 SC090

Part no...:10.01.06.03379

<https://www.schmalz.com/10.01.06.03379>



SIEB 19.5x1 MS-A2 103

Part no...:10.07.01.00321

External diameter D: 19.5 mm

Length L: 1 mm

Material: Brass / Stainless steel

Filter pore size: 103 µm



SPI 32 PE SPB4-40

Part no...:10.01.06.02856

Size: 32

Material: Polyethylene

Use: SPB4-40



SPSE 40

Part no...:10.01.06.02954

Size: 40

Bellows suction cup SI-HD (round)

SPB4 40 SI-HD-65 SC090

Part no...:10.01.06.03379

<https://www.schmalz.com/10.01.06.03379>



SSB 20-32 ST-VZ

Part no...:10.07.10.00003

Clamping range: 20.0 ... 32.0 mm

Material: Steel

Surface: galvanised