

Bellows suction cup (round)

SPB4f 50 SI-55 SC090

Part no...:10.01.06.03266

<https://www.schmalz.com/10.01.06.03266>

Home > Vacuum Technology for Automation > Vacuum Components > Vacuum Suction Cups > Suction Cups for the Packaging Industry > SPB4f 50 SI-55 SC090

Bellows suction cup (round) for very uneven workpieces



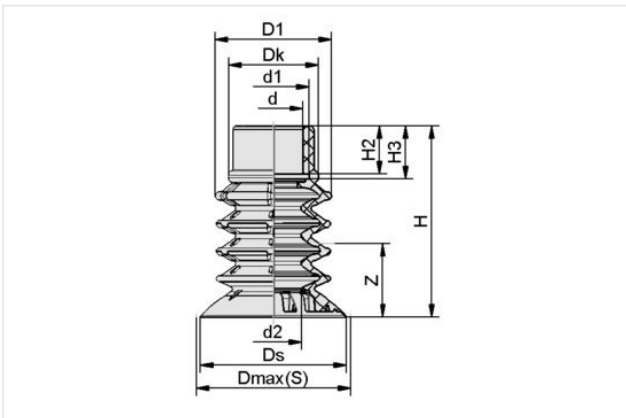
Size: 50

Suction cup material: Silicone SI

Material hardness [Shore A]: 55 Shore A

Number of folds: 4.5

Design Data



Attribute	Value
d	20 mm
d1	24.80 mm
d2	21 mm
D1	41.60 mm
Dk	31 mm
Dmax(S)	52 mm
Ds	49.70 mm
H	65 mm
H2	14 mm
H3	16 mm
Z (Stroke)	26 mm

Technical Data

Attribute	Value
Suction force at -200 mbar	13.70 N
Suction force at -400 mbar	27.30 N
Suction force (-600mbar)	41 N
Volume	33.11 cm ³
Size	50
Nipple family	SC 090

Contact Schmalz

Schmalz Sp.z.o.o. | ul. Fabianowska 131/A1, 62-052 Komorniki, Poland | +48 61 628 67 70 | schmalz@schmalz.pl

Bellows suction cup (round)

SPB4f 50 SI-55 SC090

Part no...:10.01.06.03266

<https://www.schmalz.com/10.01.06.03266>

Number of folds	4.50
Suction cup material	Silicone SI
Material hardness [Shore A]	55 Shore A
Weight	22.60 g
Product family	SPB4f

Accessories



SC 090 NPT1/4-AG

Part no...:10.01.06.03666

Connection geometry: 090

Vacuum connection: NPT1/4-M

Length L1: 36.2 mm

Fitting length: 10 mm

Nominal diameter dn: 8 mm



SC 090 NPT1/4-IG

Part no...:10.01.06.03667

Connection geometry: 090

Vacuum connection: NPT1/4-F

Length L1: 37.5 mm

Fitting length: 21.5 mm

Nominal diameter dn: 10.3 mm

Bellows suction cup (round)

SPB4f 50 SI-55 SC090

Part no...:10.01.06.03266

<https://www.schmalz.com/10.01.06.03266>



SC 090 NPT3/8-AG

Part no...:10.01.06.03668

Connection geometry: 090

Vacuum connection: NPT3/8-M

Length L1: 36.4 mm

Fitting length: 10 mm

Nominal diameter dn: 10.3 mm



SC 090 NPT3/8-IG

Part no...:10.01.06.03669

Connection geometry: 090

Vacuum connection: NPT3/8-F

Length L1: 37.5 mm

Fitting length: 21.5 mm

Nominal diameter dn: 10.3 mm



SIEB 19.5x1 MS-A2 103

Part no...:10.07.01.00321

External diameter D: 19.5 mm

Length L: 1 mm

Material: Brass / Stainless steel

Filter pore size: 103 µm