

Bellows suction cup (round)

SPB2 20 SI-40 SW100 P

Part no...:10.01.06.03221

<https://www.schmalz.com/10.01.06.03221>

Home > Vacuum Technology for Automation > Vacuum Components > Vacuum Suction Cups > Suction Cups for the Packaging Industry > Bellows Suction Cups SPB2 P (2.5 Folds) Flow Restrictor > SPB2 20 SI-40 SW100 P

Bellows suction cup (round) with 2.5 corr. for dynamic handling of cardboard and rigid packaging



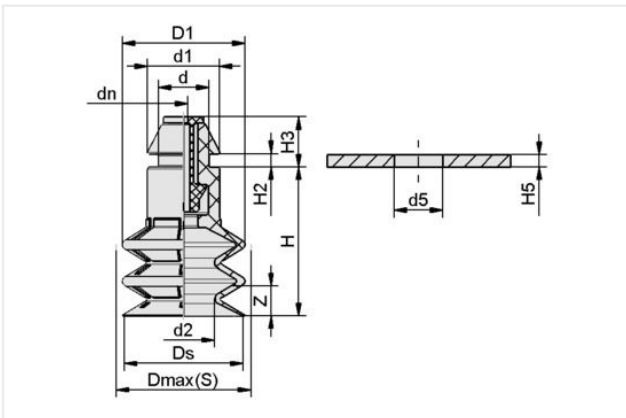
Size: 20

Suction cup material: Silicone SI

Material hardness [Shore A]: 40 Shore A

Height H: 24.3 mm

Design Data



| Attribute | Value |
|------------|----------|
| d | 8.50 mm |
| d1 | 11.80 mm |
| d2 | 10.20 mm |
| d5 | 7.90 mm |
| dn | 1 mm |
| D1 | 20 mm |
| Dmax(S) | 20.50 mm |
| Ds | 19.60 mm |
| H | 24.30 mm |
| H2 | 2.20 mm |
| H3 | 8.20 mm |
| H5 | 2 mm |
| Z (Stroke) | 9 mm |

Technical Data

| Attribute | Value |
|-----------------------------|----------------------|
| Suction force (-600mbar) | 4.90 N |
| Pull-off force | 8 N |
| Volume | 2.50 cm ³ |
| Curve radius (min) (convex) | 25 mm |

Contact Schmalz

Schmalz Sp.z.o.o. | ul. Fabianowska 131/A1, 62-052 Komorniki, Poland | +48 61 628 67 70 | schmalz@schmalz.pl

Bellows suction cup (round)

SPB2 20 SI-40 SW100 P

Part no...:10.01.06.03221

<https://www.schmalz.com/10.01.06.03221>

| | |
|-----------------------------|-------------|
| Size | 20 |
| Number of folds | 2.50 |
| Suction cup material | Silicone SI |
| Material hardness [Shore A] | 40 Shore A |
| Weight | 2.50 g |
| Product family | SPB2 |

Accessories



FD 16 120

Part no...:10.01.06.02565

External diameter D: 16 mm

Filter pore size: 120 µm

Construction use: Bellows suction cup

Size: FG20/FGA20

Spare parts



SW 100 P 7.3

Part no...:10.05.04.00091

Shape: Push In

Length L: 15.5 mm

Material: Polyoxymethylene

External diameter D: 7.3 mm

Bellows suction cup (round)

SPB2 20 SI-40 SW100 P

Part no...:10.01.06.03221

<https://www.schmalz.com/10.01.06.03221>



SPB2 20 SI-40 P

Part no...:10.01.06.03125

Size: 20

Suction cup material: Silicone SI

Material hardness [Shore A]: 40 Shore A

Number of folds: 2.5

Shape: Push In