

## Bellows suction cup SI-HD (round)

SPB4 30 SI-HD-65 SC080

Part no...:10.01.06.03180

<https://www.schmalz.com/10.01.06.03180>

Home > Vacuum Technology for Automation > Vacuum Components > Vacuum Suction Cups > Suction Cups for the Packaging Industry > SPB4 30 SI-HD-65 SC080

### Bellows suction cup (round) with 4.5 folds for wear-resistant handling



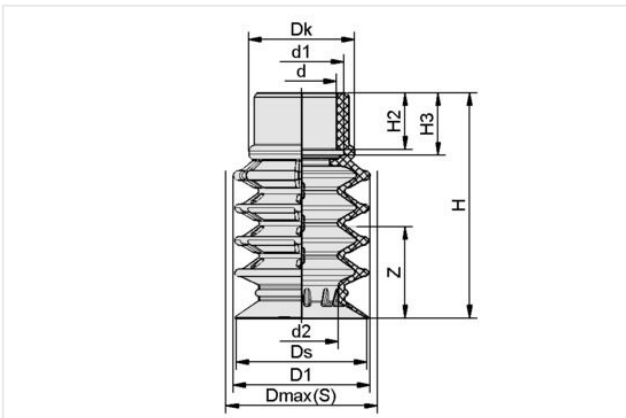
Size: 30

Suction cup material: Silicone SI-HD

Material hardness [Shore A]: 65 Shore A

Number of folds: 4.5

### Design Data



Attribute	Value
d	16 mm
d1	19.60 mm
d2	17 mm
D1	31 mm
Dk	24.40 mm
Dmax(S)	31.50 mm
Ds	30.20 mm
H	52 mm
H2	13 mm
H3	14.40 mm
Z (Stroke)	20 mm

Note: Acceptable dimensional tolerances for elastomer parts concerning to DIN ISO 3302-1 M3

### Technical Data

Attribute	Value
Suction force at -200 mbar	5.30 N
Suction force at -400 mbar	10.60 N
Suction force (-600mbar)	16 N
Pull-off force at -200 mbar	9.90 N
Pull-off force at -400 mbar	13 N

### Contact Schmalz

Schmalz Sp.z.o.o. | ul. Fabianowska 131/A1, 62-052 Komorniki, Poland | +48 61 628 67 70 | [schmalz@schmalz.pl](mailto:schmalz@schmalz.pl)

## Bellows suction cup SI-HD (round)

SPB4 30 SI-HD-65 SC080

Part no...:10.01.06.03180

<https://www.schmalz.com/10.01.06.03180>

Volume	15.61 cm <sup>3</sup>
Size	30
Nipple family	SC 080
Number of folds	4.50
Suction cup material	Silicone SI-HD
Material hardness [Shore A]	65 Shore A
Weight	10.60 g
Product family	SPB4

Note: Suction force: The specified suction forces are theoretical values with a dry, smooth and flat workpiece surface - they do not include a safety factor

### Accessories



#### SC 080 G1/4-AG

Part no...:10.01.06.03268

Connection geometry: 080

Vacuum connection: G1/4"-M

Length L1: 32 mm

Fitting length: 7.5 mm

Nominal diameter dn: 8 mm



#### SC 080 G1/4-IG

Part no...:10.01.06.03271

Connection geometry: 080

Vacuum connection: G1/4"-F

Length L1: 32 mm

Fitting length: 17.5 mm

Nominal diameter dn: 11 mm

## Bellows suction cup SI-HD (round)

SPB4 30 SI-HD-65 SC080

Part no...:10.01.06.03180

<https://www.schmalz.com/10.01.06.03180>



### SC 080 G1/8-AG

Part no...:10.01.06.03142

Connection geometry: 080

Vacuum connection: G1/8"-M

Length L1: 28 mm

Fitting length: 7.5 mm

Nominal diameter dn: 4 mm



### SC 080 G1/8-IG

Part no...:10.01.06.03270

Connection geometry: 080

Vacuum connection: G1/8"-F

Length L1: 32 mm

Fitting length: 17.5 mm

Nominal diameter dn: 8.6 mm



### SC 080 G3/8-AG

Part no...:10.01.06.02593

Connection geometry: 080

Vacuum connection: G3/8"-M

Length L1: 32 mm

Fitting length: 7.5 mm

Nominal diameter dn: 10.3 mm

## Bellows suction cup SI-HD (round)

SPB4 30 SI-HD-65 SC080

Part no...:10.01.06.03180

<https://www.schmalz.com/10.01.06.03180>



### SC 080 G3/8-IG

Part no...:10.01.06.02594

Connection geometry: 080

Vacuum connection: G3/8"-F

Length L1: 32 mm

Fitting length: 17.5 mm

Nominal diameter dn: 11 mm



### SIEB 17x0.8 MS-A2 103 0.103/0.07

Part no...:10.07.01.00320

External diameter D: 17 mm

Length L: 0.8 mm

Material: Brass / Stainless steel

Filter pore size: 103 µm



### SPI 24 PE SPB4-30

Part no...:10.01.06.02855

Size: 24

Material: Polyethylene

Use: SPB4-30

## Bellows suction cup SI-HD (round)

SPB4 30 SI-HD-65 SC080

Part no...:10.01.06.03180

<https://www.schmalz.com/10.01.06.03180>



### SPSE 30

Part no...:10.01.06.02953

Size: 30



### SSB 16-27 ST-VZ

Part no...:10.07.10.00002

Clamping range: 16.0 ... 27.0 mm

Material: Steel

Surface: galvanised