

## Bellows suction cup (round)

SPB2 20 SI-40 P

Part no...:10.01.06.03125

<https://www.schmalz.com/10.01.06.03125>

Home > Vacuum Technology for Automation > Vacuum Components > Vacuum Suction Cups > Suction Cups for the Packaging Industry > Bellows Suction Cups SPB2 P (2.5 Folds) > SPB2 20 SI-40 P

### Bellows suction cup (round) with 2.5 corr. for dynamic handling of cardboard and rigid packaging



Size: 20

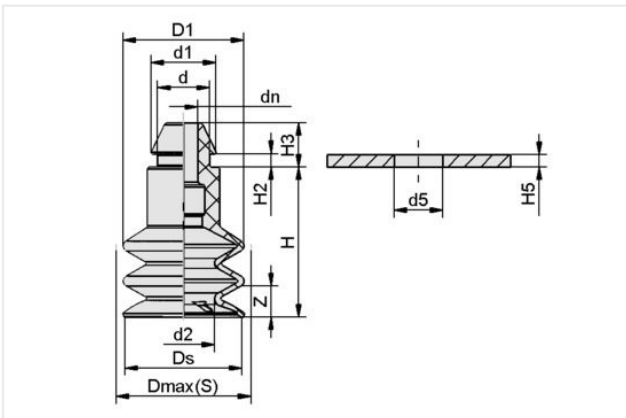
Suction cup material: Silicone SI

Material hardness [Shore A]: 40 Shore A

Number of folds: 2.5

Shape: Push In

### Design Data



| Attribute  | Value    |
|------------|----------|
| d          | 8.50 mm  |
| d1         | 11.80 mm |
| d2         | 10.20 mm |
| d5         | 7.90 mm  |
| dn         | 4.60 mm  |
| D1         | 20 mm    |
| Dmax(S)    | 20.50 mm |
| Ds         | 19.60 mm |
| H          | 24.30 mm |
| H2         | 2.20 mm  |
| H3         | 7.20 mm  |
| H5         | 2 mm     |
| Z (Stroke) | 9 mm     |

### Technical Data

| Attribute                   | Value                |
|-----------------------------|----------------------|
| Suction force (-600mbar)    | 4.90 N               |
| Pull-off force              | 8 N                  |
| Volume                      | 2.50 cm <sup>3</sup> |
| Curve radius (min) (convex) | 25 mm                |

### Contact Schmalz

Schmalz Sp.z.o.o. | ul. Fabianowska 131/A1, 62-052 Komorniki, Poland | +48 61 628 67 70 | [schmalz@schmalz.pl](mailto:schmalz@schmalz.pl)

## Bellows suction cup (round)

SPB2 20 SI-40 P

Part no...:10.01.06.03125

<https://www.schmalz.com/10.01.06.03125>

|                             |             |
|-----------------------------|-------------|
| Size                        | 20          |
| Number of folds             | 2.50        |
| Suction cup material        | Silicone SI |
| Material hardness [Shore A] | 40 Shore A  |
| Weight                      | 2.50 g      |
| Product family              | SPB2        |

Note: Suction force: The specified suction forces are theoretical values with a dry, smooth and flat workpiece surface - they do not include safety factors

### Accessories



#### FD 16 120

Part no...:10.01.06.02565

External diameter D: 16 mm

Filter pore size: 120 µm

Construction use: Bellows suction cup

Size: FG20/FGA20



#### SPI 20 PA SPB2-20

Part no...:10.01.06.04041

Size: 20

Material: Polyamide

Use: SPB2-20

## Bellows suction cup (round)

SPB2 20 SI-40 P

Part no...:10.01.06.03125

<https://www.schmalz.com/10.01.06.03125>



### SW 100 P 7.3

Part no...:10.05.04.00091

Shape: Push In

Length L: 15.5 mm

Material: Polyoxymethylene

External diameter D: 7.3 mm



### SW 130 P 7.3

Part no...:10.05.04.00092

Shape: Push In

Length L: 15.5 mm

Material: Polyoxymethylene

External diameter D: 7.3 mm



### SW 150 P 7.3

Part no...:10.05.04.00093

Shape: Push In

Length L: 15.5 mm

Material: Polyoxymethylene

External diameter D: 7.3 mm

## Bellows suction cup (round)

SPB2 20 SI-40 P

Part no...:10.01.06.03125

<https://www.schmalz.com/10.01.06.03125>



### SW 80 P 7.3

Part no...:10.05.04.00090

Shape: Push In

Length L: 15.5 mm

Material: Polyoxymethylene

External diameter D: 7.3 mm