

Bellows suction cup (round)

SPB1 80 ED-65 SC065

Part no...:10.01.06.03071

<https://www.schmalz.com/10.01.06.03071>

Home > Vacuum Technology for Automation > Vacuum Components > Vacuum Suction Cups > Suction Cups for the Packaging Industry > SPB1 80 ED-65 SC065

Bellows suction cup (round) with 1.5 corr. for dynamic handling of cardboard and rigid packaging



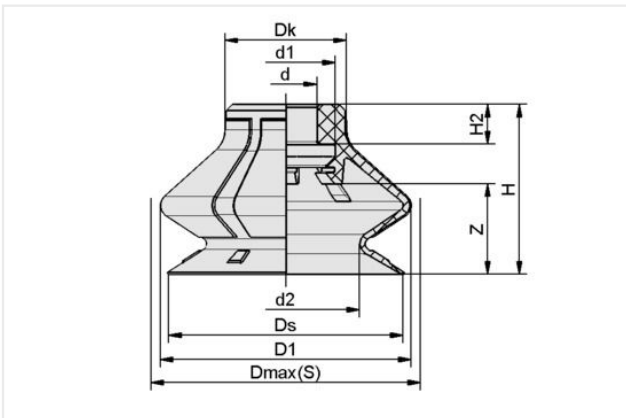
Size: 80

Suction cup material: Elastodur

Material hardness [Shore A]: 65 Shore A

Number of folds: 1.5

Design Data



Attribute	Value
d	14 mm
d1	29.30 mm
d2	56 mm
D1	82.70 mm
Dk	27.10 mm
Dmax(S)	88 mm
Ds	81.40 mm
H	45.90 mm
H2	15.30 mm
Z (Stroke)	23.50 mm

Note: Acceptable dimensional tolerances for elastomer parts concerning to DIN ISO 3302-1 M3

Technical Data

Attribute	Value
Suction force (-600mbar)	166 N
Pull-off force	200 N
Lateral force	59 N
Volume	98.36 cm ³
Curve radius (min) (convex)	70 mm
Hose diameter (empf.) d	6 mm
Size	80

Contact Schmalz

Schmalz Sp.z.o.o. | ul. Fabianowska 131/A1, 62-052 Komorniki, Poland | +48 61 628 67 70 | schmalz@schmalz.pl

Bellows suction cup (round)

SPB1 80 ED-65 SC065

Part no...:10.01.06.03071

<https://www.schmalz.com/10.01.06.03071>

Nipple family	SC 065
Number of folds	1.50
Suction cup material	Elastodur
Material hardness [Shore A]	65 Shore A
Weight	40.10 g
Product family	SPB1

Note: Suction force: The specified suction forces are theoretical values at a vacuum of -0.6 bar and with a dry, smooth and flat workpiece surface - they do not include a safety factor
Hose diameter: The recommended hose diameter refers to a hose length of approx. 2 m

Accessories



SC 065 G1/4-AG L MOD

Part no...:10.01.06.03193

Connection geometry: 065

Connection: G1/4"-M

Length L1: 36.1 mm

Fitting length: 8 mm

Nominal diameter dn: 6.1 mm

Shape: Self Locking



SC 065 G1/4-IG L MOD

Part no...:10.01.06.03194

Connection geometry: 065

Connection: G1/4"-F

Length L1: 36.1 mm

Fitting length: 18 mm

Nominal diameter dn: 6.1 mm

Shape: Self Locking

Bellows suction cup (round)

SPB1 80 ED-65 SC065

Part no...:10.01.06.03071

<https://www.schmalz.com/10.01.06.03071>



SIEB 32.5x0.8 MS-A2 280 0.28/0.16

Part no...:10.07.01.00364

External diameter D: 32.5 mm

Length L: 0.8 mm

Material: Brass / Stainless steel

Filter pore size: 280 μ m