

Bellows suction cup HT1 (round)

SAB 125 HT1-60 G3/8-AG

Part no...:10.01.06.03066

<https://www.schmalz.com/10.01.06.03066>

Home > Vacuum Technology for Automation > Vacuum Components > Vacuum Suction Cups > Suction Cups for Handling Glass > Bellows Suction Cups SAB HT1 (1.5 Folds) > SAB 125 HT1-60 G3/8-AG

Bellows suction cup (round) for markless handling of workpieces



Size: 125

Suction cup material: High temp material HT1

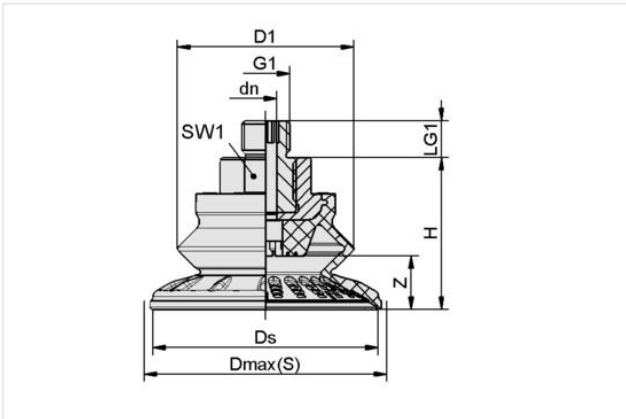
Material hardness [Shore A]: 60 Shore A

Nipple material: Aluminum

Connection: G3/8-AG

Number of folds: 1.5

Design Data



Attribute	Value
dn	6 mm
D1	94 mm
Dmax(S)	135 mm
Ds	126 mm
G1	G3/8"-M
H	67.80 mm
LG1	10 mm
SW1	22 mm
Z (Stroke)	32 mm

Technical Data

Attribute	Value
Suction force (-600mbar)	250 N
Pull-off force	558 N
Lateral force	352 N
Lateral force (oily surface)	335 N
Volume	191 cm ³
Curve radius (min) (convex)	140 mm
Hose diameter (empf.) d	9 mm
Size	125

Contact Schmalz

Schmalz Sp.z.o.o. | ul. Fabianowska 131/A1, 62-052 Komorniki, Poland | +48 61 628 67 70 | schmalz@schmalz.pl



Bellows suction cup HT1 (round)

SAB 125 HT1-60 G3/8-AG

Part no...:10.01.06.03066

<https://www.schmalz.com/10.01.06.03066>

Number of folds	1.50
Suction cup material	High temp material HT1
Material hardness [Shore A]	60 Shore A
Weight	177.30 g
Product family	SAB

Contact Schmalz

Schmalz Sp.z.o.o. | ul. Fabianowska 131/A1, 62-052 Komorniki, Poland | +48 61 628 67 70 | schmalz@schmalz.pl