

## Bellows suction cup HT1 (round)

SAB 40 HT1-60 G3/8-AG

Part no...:10.01.06.03052

<https://www.schmalz.com/10.01.06.03052>

Home > Vacuum Technology for Automation > Vacuum Components > Vacuum Suction Cups > Suction Cups for Handling Glass > Bellows Suction Cups SAB HT1 (1.5 Folds) > SAB 40 HT1-60 G3/8-AG

### Bellows suction cup (round) for markless handling of workpieces



Size: 40

Suction cup material: High temp material HT1

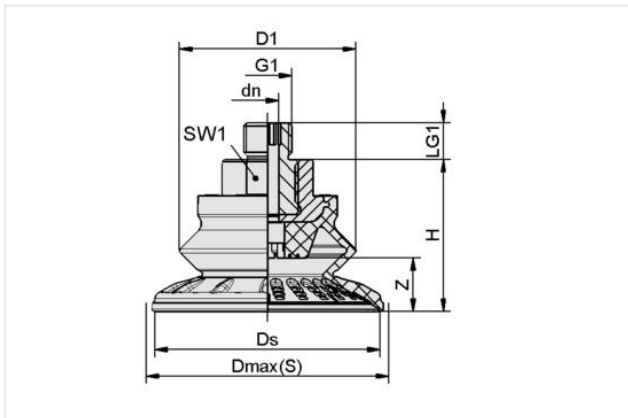
Material hardness [Shore A]: 60 Shore A

Nipple material: Aluminum

Connection: G3/8-AG

Number of folds: 1.5

### Design Data



Attribute	Value
dn	4 mm
D1	32 mm
Dmax(S)	45 mm
Ds	40.10 mm
G1	G3/8"-M
H	28.80 mm
LG1	10 mm
SW1	17 mm
Z (Stroke)	10 mm

### Technical Data

Attribute	Value
Suction force (-600mbar)	38 N
Pull-off force	59 N
Lateral force	36 N
Lateral force (oily surface)	33 N
Volume	7 cm <sup>3</sup>
Curve radius (min) (convex)	40 mm
Hose diameter (empf.) d	4 mm
Size	40

### Contact Schmalz

Schmalz Sp.z.o.o. | ul. Fabianowska 131/A1, 62-052 Komorniki, Poland | +48 61 628 67 70 | [schmalz@schmalz.pl](mailto:schmalz@schmalz.pl)



## Bellows suction cup HT1 (round)

SAB 40 HT1-60 G3/8-AG

Part no...:10.01.06.03052

<https://www.schmalz.com/10.01.06.03052>

Number of folds	1.50
Suction cup material	High temp material HT1
Material hardness [Shore A]	60 Shore A
Weight	22.20 g
Product family	SAB

### Contact Schmalz

Schmalz Sp.z.o.o. | ul. Fabianowska 131/A1, 62-052 Komorniki, Poland | +48 61 628 67 70 | [schmalz@schmalz.pl](mailto:schmalz@schmalz.pl)