

## Bellows suction cup HT1 (round)

SAB 22 HT1-60 G3/8-AG

Part no...:10.01.06.03015

<https://www.schmalz.com/10.01.06.03015>

Home > Vacuum Technology for Automation > Vacuum Components > Vacuum Suction Cups > Suction Cups for Handling Glass > Bellows Suction Cups SAB HT1 (1.5 Folds) > SAB 22 HT1-60 G3/8-AG

### Bellows suction cup (round) for markless handling of workpieces



Size: 22

Suction cup material: High temp material HT1

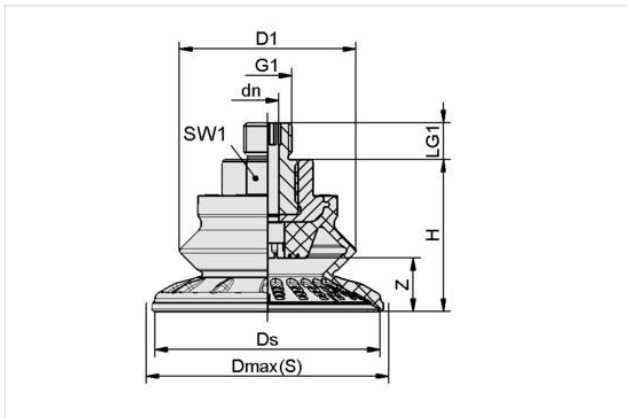
Material hardness [Shore A]: 60 Shore A

Nipple material: Aluminum

Connection: G3/8-AG

Number of folds: 1.5

### Design Data



Attribute	Value
dn	3.50 mm
D1	22 mm
Dmax(S)	24 mm
Ds	20.60 mm
G1	G3/8"-M
H	25 mm
LG1	10 mm
SW1	16 mm
Z (Stroke)	5.80 mm

### Technical Data

Attribute	Value
Suction force (-600mbar)	16 N
Pull-off force	24 N
Lateral force	18 N
Lateral force (oily surface)	6 N
Volume	1.50 cm <sup>3</sup>
Curve radius (min) (convex)	20 mm
Hose diameter (empf.) d	4 mm
Size	22

### Contact Schmalz

Schmalz Sp.z.o.o. | ul. Fabianowska 131/A1, 62-052 Komorniki, Poland | +48 61 628 67 70 | [schmalz@schmalz.pl](mailto:schmalz@schmalz.pl)



## Bellows suction cup HT1 (round)

SAB 22 HT1-60 G3/8-AG

Part no...:10.01.06.03015

<https://www.schmalz.com/10.01.06.03015>

Number of folds	1.50
Suction cup material	High temp material HT1
Material hardness [Shore A]	60 Shore A
Weight	16.50 g
Product family	SAB

### Contact Schmalz

Schmalz Sp.z.o.o. | ul. Fabianowska 131/A1, 62-052 Komorniki, Poland | +48 61 628 67 70 | [schmalz@schmalz.pl](mailto:schmalz@schmalz.pl)