

Bellows suction cups (round)

FSGA 78 NK-45 G1/4-AG DR

Part no.:10.01.06.02980

<https://www.schmalz.com/10.01.06.02980>

Home > Vacuum Technology for Automation > Vacuum Components > Vacuum Suction Cups > Bellows Suction Cups (Round) > Bellows Suction Cups with Sealing Ring > FSGA 78 NK-45 G1/4-AG DR

Bellows suction cup (round) with optimal adaptation to uneven surfaces



Size: 78

Suction cup material: Natural Rubber NK

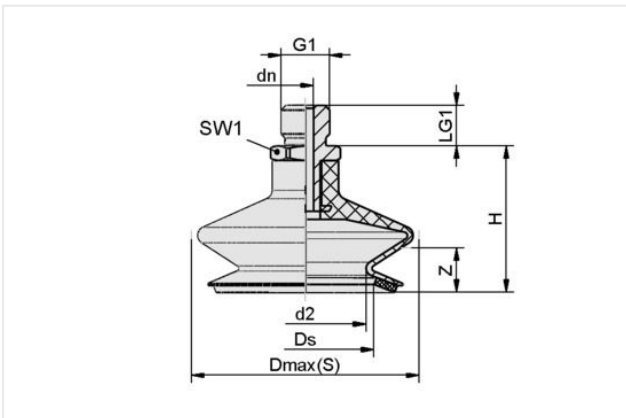
Material hardness [Shore A]: 45 Shore A

Nipple material: Aluminum

Connection: G1/4"-M

Number of folds: 1.5

Design Data



Attribute	Value
d2	54 mm
dn	8.20 mm
Dmax(S)	84.50 mm
Ds	74 mm
G1	G1/4"-M
H	54 mm
LG1	11 mm
SW1	21 mm
Z (Stroke)	16 mm

Technical Data

Attribute	Value
Suction force (-600mbar)	137.40 N
Pull-off force	218 N
Volume	79.42 cm ³
Curve radius (min) (convex)	100 mm
Hose diameter (empf.) d	6 mm
Size	78
Number of folds	1.50
Suction cup material	Natural Rubber NK

Contact Schmalz

Schmalz Sp.z.o.o. | ul. Fabianowska 131/A1, 62-052 Komorniki, Poland | +48 61 628 67 70 | schmalz@schmalz.pl

Bellows suction cups (round)

FSGA 78 NK-45 G1/4-AG DR

Part no...:10.01.06.02980

<https://www.schmalz.com/10.01.06.02980>

Material hardness [Shore A]	45 Shore A
Weight	71 g
Product family	FSGA

Spare parts



SA-NIP N019 G1/4-AG DN820

Part no...:10.01.06.01959

Nipple family: N 019

Thread G1: G1/4"-M

Length L1: 40 mm

Fitting length: 6 mm

Nominal diameter dn: 8.2 mm

Spanner size SW2: 8 mm

Material: Aluminum



FGA 78 NK-45 N019 DR

Part no...:10.01.06.02977

Size: 78

Suction cup material: Natural Rubber NK

Material hardness [Shore A]: 45 Shore A

Number of folds: 1.5