

Bellows suction cups (round)

FSGA 53 NK-45 G1/4-AG DR

Part no...:10.01.06.02928

<https://www.schmalz.com/10.01.06.02928>

Home > Vacuum Technology for Automation > Vacuum Components > Vacuum Suction Cups > Bellows Suction Cups (Round) > Bellows Suction Cups with Sealing Ring > FSGA 53 NK-45 G1/4-AG DR

Bellows suction cup (round) with optimal adaptation to uneven surfaces



Size: 53

Suction cup material: Natural Rubber NK

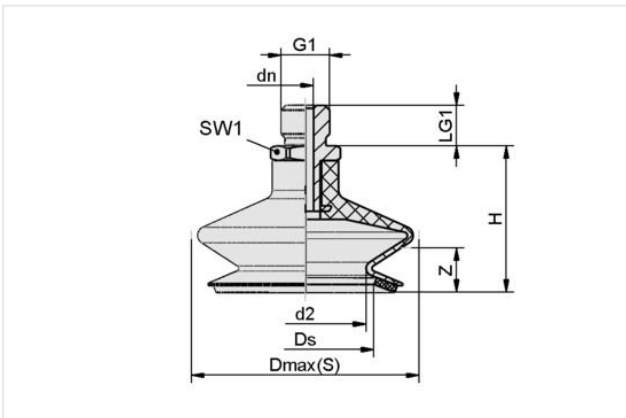
Material hardness [Shore A]: 45 Shore A

Nipple material: Aluminum

Connection: G1/4"-M

Number of folds: 1.5

Design Data



Attribute	Value
d2	33 mm
dn	4.40 mm
Dmax(S)	60 mm
Ds	37 mm
G1	G1/4"-M
H	40 mm
LG1	11 mm
SW1	17 mm
Z (Stroke)	12 mm

Technical Data

Attribute	Value
Suction force (-600mbar)	51.30 N
Pull-off force	95 N
Volume	28.40 cm ³
Curve radius (min) (convex)	100 mm
Hose diameter (empf.) d	6 mm
Size	53
Number of folds	1.50
Suction cup material	Natural Rubber NK

Contact Schmalz

Schmalz Sp.z.o.o. | ul. Fabianowska 131/A1, 62-052 Komorniki, Poland | +48 61 628 67 70 | schmalz@schmalz.pl

Bellows suction cups (round)

FSGA 53 NK-45 G1/4-AG DR

Part no...:10.01.06.02928

<https://www.schmalz.com/10.01.06.02928>

Material hardness [Shore A]	45 Shore A
Weight	30.20 g
Product family	FSGA

Spare parts



SA-NIP N018 G1/4-AG DN440

Part no...:10.01.06.01065

Nipple family: N 018

Thread G1: G1/4"-M

Length L1: 28.8 mm

Fitting length: 4 mm

Nominal diameter dn: 4.4 mm

Spanner size SW2: 5 mm

Material: Aluminum



FGA 53 NK-45 N018 DR

Part no...:10.01.06.02929

Size: 53

Suction cup material: Natural Rubber NK

Material hardness [Shore A]: 45 Shore A

Number of folds: 1.5