

Bellows suction cup (round)

SPB1 15 ED-65 SC040

Part no...:10.01.06.02783

<https://www.schmalz.com/10.01.06.02783>

Home > Vacuum Technology for Automation > Vacuum Components > Vacuum Suction Cups > Suction Cups for the Packaging Industry > SPB1 15 ED-65 SC040

Bellows suction cup (round) with 1.5 corr. for dynamic handling of cardboard and rigid packaging



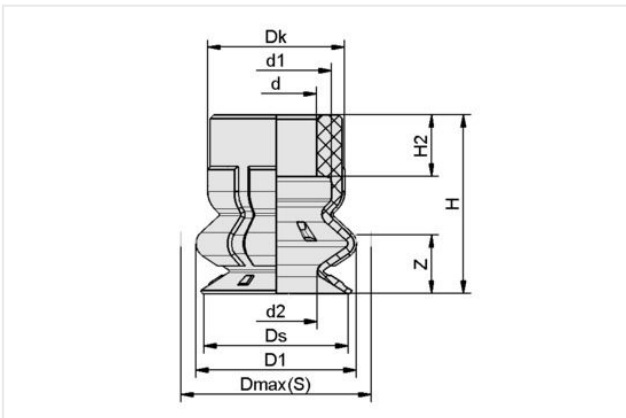
Size: 15

Suction cup material: Elastodur

Material hardness [Shore A]: 65 Shore A

Number of folds: 1.5

Design Data



Attribute	Value
d	7.50 mm
d1	10.50 mm
d2	9.50 mm
D1	18.40 mm
Dk	15.10 mm
Dmax(S)	19.70 mm
Ds	15.40 mm
H	15 mm
H2	4.60 mm
Z (Stroke)	6 mm

Note: Acceptable dimensional tolerances for elastomer parts concerning to DIN ISO 3302-1 M3

Technical Data

Attribute	Value
Suction force (-600mbar)	4.30 N
Pull-off force	9 N
Lateral force	5 N
Volume	1.50 cm ³
Curve radius (min) (convex)	8 mm
Hose diameter (empf.) d	4 mm
Size	15

Contact Schmalz

Schmalz Sp.z.o.o. | ul. Fabianowska 131/A1, 62-052 Komorniki, Poland | +48 61 628 67 70 | schmalz@schmalz.pl

Bellows suction cup (round)

SPB1 15 ED-65 SC040

Part no...:10.01.06.02783

<https://www.schmalz.com/10.01.06.02783>

Nipple family	SC 040
Number of folds	1.50
Suction cup material	Elastodur
Material hardness [Shore A]	65 Shore A
Weight	1.30 g
Product family	SPB1

Note: Suction force: The specified suction forces are theoretical values at a vacuum of -0.6 bar and with a dry, smooth and flat workpiece surface - they do not include a safety factor
Hose diameter: The recommended hose diameter refers to a hose length of approx. 2 m

Accessories



SC 040 G1/8-AG

Part no...:10.01.06.02490

Connection geometry: 040

Connection: G1/8"-M

Length L1: 20.2 mm

Fitting length: 6 mm

Nominal diameter dn: 4.1 mm



SC 040 G1/8-IG

Part no...:10.01.06.02482

Connection geometry: 040

Connection: G1/8"-F

Length L1: 20.7 mm

Fitting length: 14 mm

Nominal diameter dn: 4.1 mm

Bellows suction cup (round)

SPB1 15 ED-65 SC040

Part no...:10.01.06.02783

<https://www.schmalz.com/10.01.06.02783>



SPI 12 PA SPB1-15

Part no...:10.01.06.03709

Size: 12

Material: Polyamide

Use: SPB1-15



SC 040 NPT1/8-AG

Part no...:10.01.06.02541

Connection geometry: 040

Connection: NPT1/8-M

Length L1: 20.9 mm

Fitting length: 6 mm

Nominal diameter dn: 4.1 mm



SC 040 NPT1/8-IG

Part no...:10.01.06.02542

Connection geometry: 040

Connection: NPT1/8-F

Length L1: 20.7 mm

Fitting length: 14 mm

Nominal diameter dn: 4.1 mm