

## Bellows suction cup (round)

SPB1 10 ED-65 SC030

Part no...:10.01.06.02782

<https://www.schmalz.com/10.01.06.02782>

Home > Vacuum Technology for Automation > Vacuum Components > Vacuum Suction Cups > Suction Cups for the Packaging Industry > SPB1 10 ED-65 SC030

### Bellows suction cup (round) with 1.5 corr. for dynamic handling of cardboard and rigid packaging



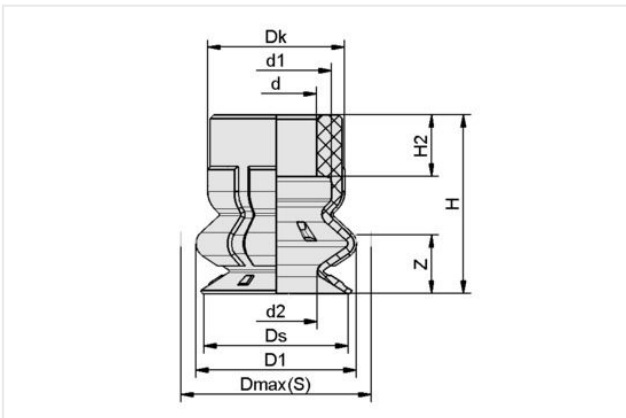
Size: 10

Suction cup material: Elastodur

Material hardness [Shore A]: 65 Shore A

Number of folds: 1.5

### Design Data



Attribute	Value
d	5.50 mm
d1	7.50 mm
d2	5.60 mm
D1	11 mm
Dk	9.40 mm
Dmax(S)	11.30 mm
Ds	9.80 mm
H	12.10 mm
H2	4.20 mm
Z (Stroke)	4 mm

Note: Acceptable dimensional tolerances for elastomer parts concerning to DIN ISO 3302-1 M3

### Technical Data

Attribute	Value
Suction force (-600mbar)	1.50 N
Pull-off force	4 N
Lateral force	2 N
Volume	0.45 cm <sup>3</sup>
Curve radius (min) (convex)	5 mm
Hose diameter (empf.) d	4 mm
Size	10

### Contact Schmalz

Schmalz Sp.z.o.o. | ul. Fabianowska 131/A1, 62-052 Komorniki, Poland | +48 61 628 67 70 | [schmalz@schmalz.pl](mailto:schmalz@schmalz.pl)

## Bellows suction cup (round)

SPB1 10 ED-65 SC030

Part no...:10.01.06.02782

<https://www.schmalz.com/10.01.06.02782>

Nipple family	SC 030
Number of folds	1.50
Suction cup material	Elastodur
Material hardness [Shore A]	65 Shore A
Weight	0.40 g
Product family	SPB1

Note: Suction force: The specified suction forces are theoretical values at a vacuum of -0.6 bar and with a dry, smooth and flat workpiece surface - they do not include a safety factor  
Hose diameter: The recommended hose diameter refers to a hose length of approx. 2 m

### Accessories



#### SC 030 M5-AG

Part no...:10.01.06.02802

Connection geometry: 030

Connection: M5-M

Length L1: 15.5 mm

Fitting length: 5 mm

Nominal diameter dn: 1.8 mm



#### SPI 8 PA SPB1-10

Part no...:10.01.06.03710

Size: 8

Material: Polyamide

Use: SPB1-10