

Bellows suction cup (round)

SPB4 50 SI-55 SC090

Part no...:10.01.06.02613

<https://www.schmalz.com/10.01.06.02613>

Home > Vacuum Technology for Automation > Vacuum Components > Vacuum Suction Cups > Suction Cups for the Packaging Industry > SPB4 50 SI-55 SC090

Bellows suction cup (round) with 4.5 folds for process reliable handling of pouches and flex. prod.



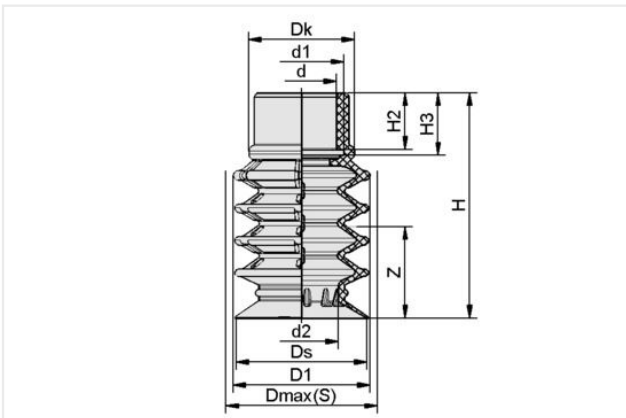
Size: 50

Suction cup material: Silicone SI

Material hardness [Shore A]: 55 Shore A

Number of folds: 4.5

Design Data



Attribute	Value
d	20 mm
d1	24.80 mm
d2	30 mm
D1	51 mm
Dk	31 mm
Dmax(S)	51.50 mm
Ds	50.30 mm
H	76 mm
H2	14 mm
H3	16 mm
Z (Stroke)	36.50 mm

Note: Acceptable dimensional tolerances for elastomer parts concerning to DIN ISO 3302-1 M3

Technical Data

Attribute	Value
Suction force at -200 mbar	16.50 N
Suction force at -400 mbar	33 N
Suction force (-600mbar)	49.50 N
Pull-off force at -200 mbar	22 N
Pull-off force at -400 mbar	37 N

Contact Schmalz

Schmalz Sp.z.o.o. | ul. Fabianowska 131/A1, 62-052 Komorniki, Poland | +48 61 628 67 70 | schmalz@schmalz.pl

Bellows suction cup (round)

SPB4 50 SI-55 SC090

Part no...:10.01.06.02613

<https://www.schmalz.com/10.01.06.02613>

Volume	64.55 cm ³
Size	50
Nipple family	SC 090
Number of folds	4.50
Suction cup material	Silicone SI
Material hardness [Shore A]	55 Shore A
Weight	31.30 g
Product family	SPB4

Note: Suction force: The specified suction forces are theoretical values with a dry, smooth and flat workpiece surface - they do not include a safety factor

Accessories



SC 090 G1/2-AG

Part no...:10.01.06.02595

Connection geometry: 090

Vacuum connection: G1/2"-M

Length L1: 37.5 mm

Fitting length: 7.5 mm

Nominal diameter dn: 15 mm



SC 090 G1/2-IG

Part no...:10.01.06.02596

Connection geometry: 090

Vacuum connection: G1/2"-F

Length L1: 37.5 mm

Fitting length: 21.5 mm

Nominal diameter dn: 15 mm

Bellows suction cup (round)

SPB4 50 SI-55 SC090

Part no...:10.01.06.02613

<https://www.schmalz.com/10.01.06.02613>



SC 090 G1/4-AG

Part no...:10.01.06.02793

Connection geometry: 090

Vacuum connection: G1/4"-M

Length L1: 33.5 mm

Fitting length: 7.5 mm

Nominal diameter dn: 8 mm



SC 090 G1/4-IG

Part no...:10.01.06.03273

Connection geometry: 090

Vacuum connection: G1/4"-F

Length L1: 37.5 mm

Fitting length: 21.5 mm

Nominal diameter dn: 11.4 mm



SC 090 G1/8-AG

Part no...:10.01.06.03269

Connection geometry: 090

Vacuum connection: G1/8"-M

Length L1: 31 mm

Fitting length: 7.5 mm

Nominal diameter dn: 4 mm

Bellows suction cup (round)

SPB4 50 SI-55 SC090

Part no...:10.01.06.02613

<https://www.schmalz.com/10.01.06.02613>



SC 090 G1/8-IG

Part no...:10.01.06.03272

Connection geometry: 090

Vacuum connection: G1/8"-F

Length L1: 37.5 mm

Fitting length: 21.5 mm

Nominal diameter dn: 8.6 mm



SC 090 G3/8-AG

Part no...:10.01.06.02791

Connection geometry: 090

Vacuum connection: G3/8"-M

Length L1: 33.5 mm

Fitting length: 7.5 mm

Nominal diameter dn: 10.3 mm



SC 090 G3/8-IG

Part no...:10.01.06.03274

Connection geometry: 090

Vacuum connection: G3/8"-F

Length L1: 37.5 mm

Fitting length: 21.5 mm

Nominal diameter dn: 15 mm

Bellows suction cup (round)

SPB4 50 SI-55 SC090

Part no...:10.01.06.02613

<https://www.schmalz.com/10.01.06.02613>



SIEB 19.5x1 MS-A2 103

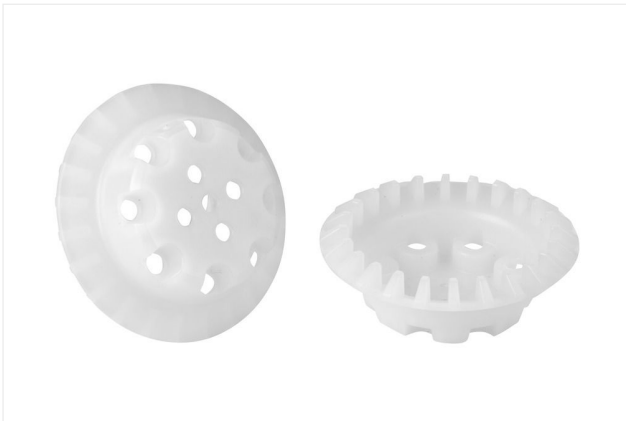
Part no...:10.07.01.00321

External diameter D: 19.5 mm

Length L: 1 mm

Material: Brass / Stainless steel

Filter pore size: 103 µm



SPI 42 PE SPB4-50

Part no...:10.01.06.02916

Size: 42

Material: Polyethylene

Use: SPB4-50



SSB 20-32 ST-VZ

Part no...:10.07.10.00003

Clamping range: 20.0 ... 32.0 mm

Material: Steel

Surface: galvanised

Bellows suction cup (round)

SPB4 50 SI-55 SC090

Part no...:10.01.06.02613

<https://www.schmalz.com/10.01.06.02613>



SC 090 NPT1/4-AG

Part no...:10.01.06.03666

Connection geometry: 090

Vacuum connection: NPT1/4-M

Length L1: 36.2 mm

Fitting length: 10 mm

Nominal diameter dn: 8 mm



SC 090 NPT1/4-IG

Part no...:10.01.06.03667

Connection geometry: 090

Vacuum connection: NPT1/4-F

Length L1: 37.5 mm

Fitting length: 21.5 mm

Nominal diameter dn: 10.3 mm



SC 090 NPT3/8-AG

Part no...:10.01.06.03668

Connection geometry: 090

Vacuum connection: NPT3/8-M

Length L1: 36.4 mm

Fitting length: 10 mm

Nominal diameter dn: 10.3 mm

Bellows suction cup (round)

SPB4 50 SI-55 SC090

Part no...:10.01.06.02613

<https://www.schmalz.com/10.01.06.02613>



SC 090 NPT3/8-IG

Part no...:10.01.06.03669

Connection geometry: 090

Vacuum connection: NPT3/8-F

Length L1: 37.5 mm

Fitting length: 21.5 mm

Nominal diameter dn: 10.3 mm