

Bellows suction cup (round)

SPB1 50 ED-65 SC050

Part no...:10.01.06.02456

<https://www.schmalz.com/10.01.06.02456>

Home > Vacuum Technology for Automation > Vacuum Components > Vacuum Suction Cups > Suction Cups for the Packaging Industry > SPB1 50 ED-65 SC050

Bellows suction cup (round) with 1.5 corr. for dynamic handling of cardboard and rigid packaging



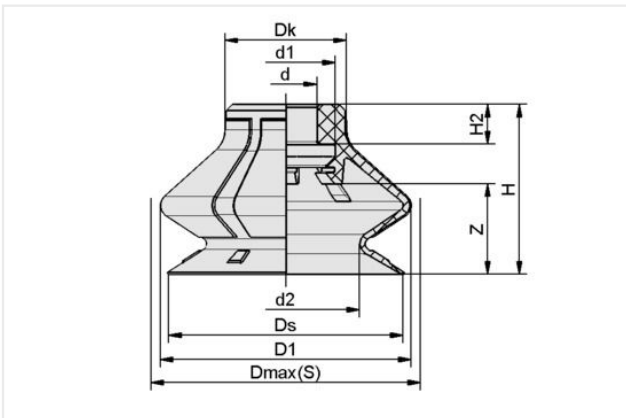
Size: 50

Suction cup material: Elastodur

Material hardness [Shore A]: 65 Shore A

Number of folds: 1.5

Design Data



Attribute	Value
d	11 mm
d1	17.50 mm
d2	32.30 mm
D1	55.20 mm
Dk	21.60 mm
Dmax(S)	58.40 mm
Ds	51.40 mm
H	32 mm
H2	7 mm
Z (Stroke)	18 mm

Note: Acceptable dimensional tolerances for elastomer parts concerning to DIN ISO 3302-1 M3

Technical Data

Attribute	Value
Suction force (-600mbar)	54.70 N
Pull-off force	72.70 N
Lateral force	31.20 N
Volume	30.18 cm ³
Curve radius (min) (convex)	40 mm
Hose diameter (empf.) d	6 mm
Size	50

Contact Schmalz

Schmalz Sp.z.o.o. | ul. Fabianowska 131/A1, 62-052 Komorniki, Poland | +48 61 628 67 70 | schmalz@schmalz.pl

Bellows suction cup (round)

SPB1 50 ED-65 SC050

Part no...:10.01.06.02456

<https://www.schmalz.com/10.01.06.02456>

Nipple family	SC 050
Number of folds	1.50
Suction cup material	Elastodur
Material hardness [Shore A]	65 Shore A
Weight	13.10 g
Product family	SPB1

Note: Suction force: The specified suction forces are theoretical values at a vacuum of -0.6 bar and with a dry, smooth and flat workpiece surface - they do not include a safety factor
Hose diameter: The recommended hose diameter refers to a hose length of approx. 2 m

Accessories



SC 050 G1/4-AG MOD

Part no...:10.01.06.02487

Connection geometry: 050

Connection: G1/4"-M

Length L1: 26.5 mm

Fitting length: 7.2 mm

Nominal diameter dn: 6.1 mm



SC 050 G1/4-IG MOD

Part no...:10.01.06.02488

Connection geometry: 050

Connection: G1/4"-F

Length L1: 26.5 mm

Fitting length: 17.2 mm

Nominal diameter dn: 6.1 mm

Bellows suction cup (round)

SPB1 50 ED-65 SC050

Part no...:10.01.06.02456

<https://www.schmalz.com/10.01.06.02456>



SIEB 17.5x0.8 MS-A2 280 0.28/0.16

Part no...:10.07.01.00308

External diameter D: 17.5 mm

Length L: 0.8 mm

Material: Brass / Stainless steel

Filter pore size: 280 µm



SPI 40 PA SPB1-50

Part no...:10.01.06.03388

Size: 40

Material: Polyamide

Use: SPB1-50



SC 050-AR NPT1/4-AG MOD

Part no...:10.01.06.02543

Connection geometry: 050-AR

Connection: NPT1/4-M

Length L1: 29 mm

Fitting length: 7.5 mm

Nominal diameter dn: 6.1 mm

Bellows suction cup (round)

SPB1 50 ED-65 SC050

Part no...:10.01.06.02456

<https://www.schmalz.com/10.01.06.02456>



SC 050-AR NPT1/4-IG MOD

Part no...:10.01.06.02546

Connection geometry: 050-AR

Connection: NPT1/4-F

Length L1: 28.5 mm

Fitting length: 19.2 mm

Nominal diameter dn: 6.1 mm