

## Bellows suction cup (round)

SPB1 40 ED-65 SC050

Part no...:10.01.06.02455

<https://www.schmalz.com/10.01.06.02455>

Home > Vacuum Technology for Automation > Vacuum Components > Vacuum Suction Cups > Suction Cups for the Packaging Industry > SPB1 40 ED-65 SC050

### Bellows suction cup (round) with 1.5 corr. for dynamic handling of cardboard and rigid packaging



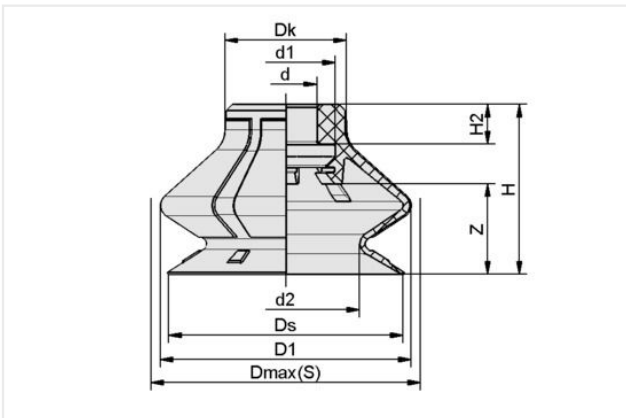
Size: 40

Suction cup material: Elastodur

Material hardness [Shore A]: 65 Shore A

Number of folds: 1.5

### Design Data



Attribute	Value
d	11 mm
d1	17.50 mm
d2	26.10 mm
D1	44.60 mm
Dk	21.60 mm
Dmax(S)	48 mm
Ds	41.40 mm
H	30 mm
H2	7 mm
Z (Stroke)	16 mm

Note: Acceptable dimensional tolerances for elastomer parts concerning to DIN ISO 3302-1 M3

### Technical Data

Attribute	Value
Suction force (-600mbar)	35.90 N
Pull-off force	46.80 N
Lateral force	24.80 N
Volume	18.33 cm <sup>3</sup>
Curve radius (min) (convex)	40 mm
Hose diameter (empf.) d	6 mm
Size	40

### Contact Schmalz

Schmalz Sp.z.o.o. | ul. Fabianowska 131/A1, 62-052 Komorniki, Poland | +48 61 628 67 70 | [schmalz@schmalz.pl](mailto:schmalz@schmalz.pl)

## Bellows suction cup (round)

SPB1 40 ED-65 SC050

Part no...:10.01.06.02455

<https://www.schmalz.com/10.01.06.02455>

Nipple family	SC 050
Number of folds	1.50
Suction cup material	Elastodur
Material hardness [Shore A]	65 Shore A
Weight	8.20 g
Product family	SPB1

Note: Suction force: The specified suction forces are theoretical values at a vacuum of -0.6 bar and with a dry, smooth and flat workpiece surface - they do not include a safety factor  
Hose diameter: The recommended hose diameter refers to a hose length of approx. 2 m

### Accessories



#### SC 050 G1/4-AG MOD

Part no...:10.01.06.02487

Connection geometry: 050

Connection: G1/4"-M

Length L1: 26.5 mm

Fitting length: 7.2 mm

Nominal diameter dn: 6.1 mm



#### SC 050 G1/4-IG MOD

Part no...:10.01.06.02488

Connection geometry: 050

Connection: G1/4"-F

Length L1: 26.5 mm

Fitting length: 17.2 mm

Nominal diameter dn: 6.1 mm

## Bellows suction cup (round)

SPB1 40 ED-65 SC050

Part no...:10.01.06.02455

<https://www.schmalz.com/10.01.06.02455>



### SIEB 17.5x0.8 MS-A2 280 0.28/0.16

Part no...:10.07.01.00308

External diameter D: 17.5 mm

Length L: 0.8 mm

Material: Brass / Stainless steel

Filter pore size: 280 µm



### SPI 33 PA SPB1-40

Part no...:10.01.06.03387

Size: 33

Material: Polyamide

Use: SPB1-40



### SC 050-AR NPT1/4-AG MOD

Part no...:10.01.06.02543

Connection geometry: 050-AR

Connection: NPT1/4-M

Length L1: 29 mm

Fitting length: 7.5 mm

Nominal diameter dn: 6.1 mm

## Bellows suction cup (round)

SPB1 40 ED-65 SC050

Part no...:10.01.06.02455

<https://www.schmalz.com/10.01.06.02455>



### SC 050-AR NPT1/4-IG MOD

Part no...:10.01.06.02546

Connection geometry: 050-AR

Connection: NPT1/4-F

Length L1: 28.5 mm

Fitting length: 19.2 mm

Nominal diameter dn: 6.1 mm