

## Bellows suction cup (round)

SPB1 20 ED-65 SC040

Part no...:10.01.06.02452

<https://www.schmalz.com/10.01.06.02452>

Home > Vacuum Technology for Automation > Vacuum Components > Vacuum Suction Cups > Suction Cups for the Packaging Industry > SPB1 20 ED-65 SC040

### Bellows suction cup (round) with 1.5 corr. for dynamic handling of cardboard and rigid packaging



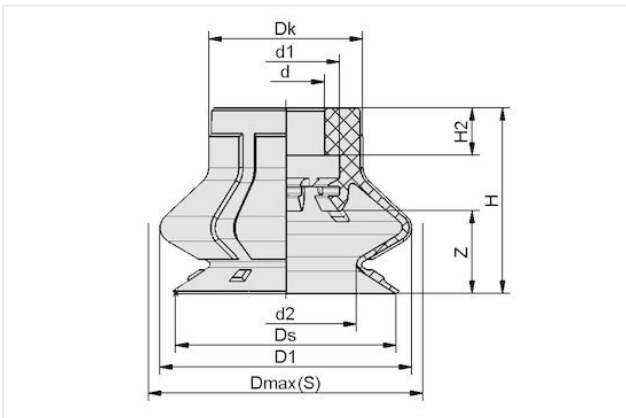
Size: 20

Suction cup material: Elastodur

Material hardness [Shore A]: 65 Shore A

Number of folds: 1.5

### Design Data



Attribute	Value
d	7.50 mm
d1	10.50 mm
d2	13.80 mm
D1	24.60 mm
Dk	15.10 mm
Dmax(S)	26.30 mm
Ds	21.40 mm
H	18 mm
H2	4.60 mm
Z (Stroke)	8 mm

Note: Acceptable dimensional tolerances for elastomer parts concerning to DIN ISO 3302-1 M3

### Technical Data

Attribute	Value
Suction force (-600mbar)	9.90 N
Pull-off force	16.20 N
Lateral force	9.80 N
Volume	3.11 cm <sup>3</sup>
Curve radius (min) (convex)	15 mm
Hose diameter (empf.) d	4 mm
Size	20

### Contact Schmalz

Schmalz Sp.z.o.o. | ul. Fabianowska 131/A1, 62-052 Komorniki, Poland | +48 61 628 67 70 | [schmalz@schmalz.pl](mailto:schmalz@schmalz.pl)

## Bellows suction cup (round)

SPB1 20 ED-65 SC040

Part no...:10.01.06.02452

<https://www.schmalz.com/10.01.06.02452>

Nipple family	SC 040
Number of folds	1.50
Suction cup material	Elastodur
Material hardness [Shore A]	65 Shore A
Weight	2.20 g
Product family	SPB1

Note: Suction force: The specified suction forces are theoretical values at a vacuum of -0.6 bar and with a dry, smooth and flat workpiece surface - they do not include a safety factor  
Hose diameter: The recommended hose diameter refers to a hose length of approx. 2 m

### Accessories



#### SC 040 G1/8-AG

Part no...:10.01.06.02490

Connection geometry: 040

Connection: G1/8"-M

Length L1: 20.2 mm

Fitting length: 6 mm

Nominal diameter dn: 4.1 mm



#### SC 040 G1/8-IG

Part no...:10.01.06.02482

Connection geometry: 040

Connection: G1/8"-F

Length L1: 20.7 mm

Fitting length: 14 mm

Nominal diameter dn: 4.1 mm

## Bellows suction cup (round)

SPB1 20 ED-65 SC040

Part no...:10.01.06.02452

<https://www.schmalz.com/10.01.06.02452>



### SIEB 11x1 MS-A2 280 0.28/0.16

Part no...:10.07.01.00309

External diameter D: 11 mm

Length L: 1 mm

Material: Brass / Stainless steel

Filter pore size: 280 µm



### SPI 18 PA SPB1-20

Part no...:10.01.06.03385

Size: 18

Material: Polyamide

Use: SPB1-20



### SC 040 NPT1/8-AG

Part no...:10.01.06.02541

Connection geometry: 040

Connection: NPT1/8-M

Length L1: 20.9 mm

Fitting length: 6 mm

Nominal diameter dn: 4.1 mm

## Bellows suction cup (round)

SPB1 20 ED-65 SC040

Part no...:10.01.06.02452

<https://www.schmalz.com/10.01.06.02452>



### SC 040 NPT1/8-IG

Part no...:10.01.06.02542

Connection geometry: 040

Connection: NPT1/8-F

Length L1: 20.7 mm

Fitting length: 14 mm

Nominal diameter dn: 4.1 mm