

Bellows suction cups (round)

FSG 52 NK-45 G1/4-AG

Part no...:10.01.06.02385

<https://www.schmalz.com/10.01.06.02385>

Home > Vacuum Technology for Automation > Vacuum Components > Vacuum Suction Cups > Bellows Suction Cups (Round) > Bellows Suction Cups FSG (2.5 Folds) > FSG 52 NK-45 G1/4-AG

Bellows suction cup (round) for very uneven workpieces



Size: 52

Suction cup material: Natural Rubber NK

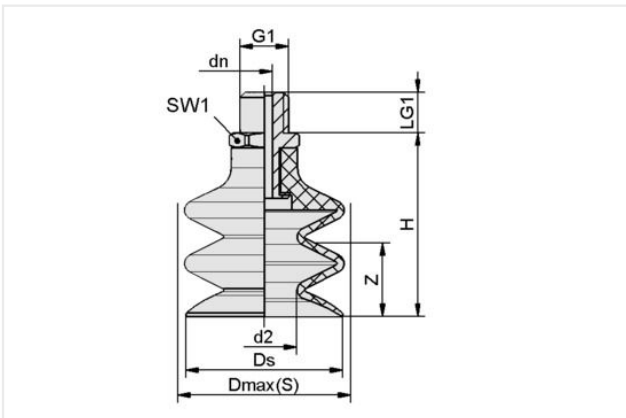
Material hardness [Shore A]: 45 Shore A

Connection: G1/4"-M

Number of folds: 2.5

Vacuum connection: G1/4"-M

Design Data



Attribute	Value
d2	24.60 mm
dn	4.40 mm
Dmax(S)	55 mm
Ds	52.50 mm
G1	G1/4"-M
H	52.70 mm
LG1	11 mm
SW1	17 mm
Z (Stroke)	25 mm

Note: Acceptable dimensional tolerances for elastomer parts concerning to DIN ISO 3302-1 M3

Technical Data

Attribute	Value
Suction cup material	Natural Rubber NK
Material hardness [Shore A]	45 Shore A
Size	52
Number of folds	2.50
Connection	G1/4-AG
Curve radius (min) (convex)	75 mm
Volume	35 cm ³

Contact Schmalz

Schmalz Sp.z.o.o. | ul. Fabianowska 131/A1, 62-052 Komorniki, Poland | +48 61 628 67 70 | schmalz@schmalz.pl

Bellows suction cups (round)

FSG 52 NK-45 G1/4-AG

Part no...:10.01.06.02385

<https://www.schmalz.com/10.01.06.02385>

Suction force (-600mbar)	28.52 N
Pull-off force	96 N
Hose diameter (empf.) d	6 mm
Weight	32.30 g
Product family	FSG

Note: Suction force: The specified suction forces are theoretical values at a vacuum of -0.6 bar and with a dry, smooth and flat workpiece surface - they do not include a safety factor Pull-off force: The pull-off force of the versions made of natural rubber is reduced by about 40% Hose diameter: The recommended hose diameter refers to a hose length of approx. 2 m

Accessories



DR 52/33x5 MOS SI-15

Part no...:10.01.06.02548

External diameter D: 52 mm

Internal diameter d: 33 mm

Height H: 5 mm

Material type: Foam rubber

Sealing material: Silicone SI

Material hardness [Shore A]: 15 Shore A



FD 44 120

Part no...:10.01.06.02573

External diameter D: 44 mm

Filter pore size: 120 µm

Construction use: Bellows suction cup

Size: FG 52

Bellows suction cups (round)

FSG 52 NK-45 G1/4-AG

Part no...:10.01.06.02385

<https://www.schmalz.com/10.01.06.02385>



SU 50

Part no...:10.01.01.12837

Size: 50

Clamping range: 45.0 ... 60.0 mm

Temperature resistance: 80 °C

Spare parts



SA-NIP N018 G1/4-AG DN440

Part no...:10.01.06.01065

Nipple family: N 018

Thread G1: G1/4"-M

Length L1: 28.8 mm

Fitting length: 4 mm

Nominal diameter dn: 4.4 mm

Spanner size SW2: 5 mm

Material: Aluminum



FG 52 NK-45 N018

Part no...:10.01.06.02382

Size: 52

Suction cup material: Natural Rubber NK

Material hardness [Shore A]: 45 Shore A

Number of folds: 2.5