

Bellows suction cups (round)

FSGA 33 NK-45 G1/4-IG DR

Part no...:10.01.06.01668

<https://www.schmalz.com/10.01.06.01668>

Home > Vacuum Technology for Automation > Vacuum Components > Vacuum Suction Cups > Bellows Suction Cups (Round) > Bellows Suction Cups with Sealing Ring > FSGA 33 NK-45 G1/4-IG DR

Bellows suction cup (round) with optimal adaptation to uneven surfaces



Size: 33

Suction cup material: Natural Rubber NK

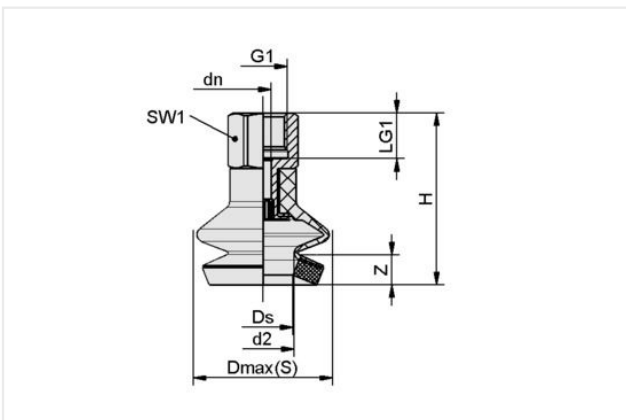
Material hardness [Shore A]: 45 Shore A

Nipple material: Aluminum

Connection: G1/4"-F

Number of folds: 1.5

Design Data



Attribute	Value
d2	16 mm
dn	4.40 mm
Dmax(S)	38 mm
Ds	29 mm
G1	G1/4"-F
H	46.60 mm
LG1	12 mm
SW1	17 mm
Z (Stroke)	9 mm

Technical Data

Attribute	Value
Size	33
Number of folds	1.50
Suction cup material	Natural Rubber NK
Material hardness [Shore A]	45 Shore A
Weight	15.70 g
Product family	FSGA

Contact Schmalz

Schmalz Sp.z.o.o. | ul. Fabianowska 131/A1, 62-052 Komorniki, Poland | +48 61 628 67 70 | schmalz@schmalz.pl