

Bellows suction cup (oval)

FSGAO 140x65 VU1-72 G1/4-AG

Part no...:10.01.06.00498

<https://www.schmalz.com/10.01.06.00498>

Home > Vacuum Technology for Automation > Vacuum Components > Vacuum Suction Cups > Bellows Suction Cups (Oval) > Bellows Suction Cups FSGAO (1.5 Folds) > FSGAO 140x65 VU1-72 G1/4-AG

Bellows suction cup (oval), very hard-wearing, for narrow workpieces



Dimensions (LxB): 140 x 65

Suction cup material: Vulkollan VU1

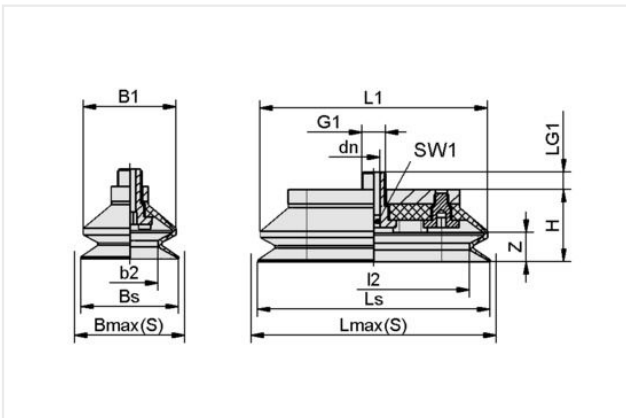
Material hardness [Shore A]: 72 Shore A

Nipple material: Brass

Connection: G1/4"-M

Number of folds: 1.5

Design Data



Attribute	Value
b2	36 mm
B1	65 mm
Bmax(S)	68.50 mm
Bs	65 mm
dn	8 mm
G1	G1/4"-M
H	38 mm
L1	140 mm
l2	111 mm
LG1	10 mm
Lmax(S)	142 mm
Ls	140 mm
SW1	8 mm
Z (Stroke)	16 mm

Note: Acceptable dimensional tolerances for elastomer parts concerning to DIN ISO 3302-1 M3

Technical Data

Attribute	Value
Suction force (-600mbar)	225 N
Pull-off force	255 N
Volume	113.62 cm ³

Contact Schmalz

Schmalz Sp.z.o.o. | ul. Fabianowska 131/A1, 62-052 Komorniki, Poland | +48 61 628 67 70 | schmalz@schmalz.pl

Bellows suction cup (oval)

FSGAO 140x65 VU1-72 G1/4-AG

Part no...:10.01.06.00498

<https://www.schmalz.com/10.01.06.00498>

Curve radius (min) (convex)	30 mm
Hose diameter (empf.) d	9 mm
Nipple family	N 039
Dimensions (LxB)	140 x 65
Number of folds	1.50
Suction cup material	Vulkollan VU1
Material hardness [Shore A]	72 Shore A
Weight	175 g
Product family	FSGAO

Note: Suction force: The specified suction forces are theoretical values at a vacuum of -0.6 bar and with a dry, smooth and flat workpiece surface - they do not include a safety factor Hose diameter: The recommended hose diameter refers to a hose length of approx. 2 m

Spare parts



FSGAO 140x65 VU1-72 N039

Part no...:10.01.06.00468

Dimensions (LxB): 140 x 65

Suction cup material: Vulkollan VU1

Material hardness [Shore A]: 72 Shore A

Number of folds: 1.5



FSGAO 140x65 VU1-72 N039

Part no...:10.01.06.00468

Dimensions (LxB): 140 x 65

Suction cup material: Vulkollan VU1

Material hardness [Shore A]: 72 Shore A

Number of folds: 1.5