

## Bellows suction cups (round)

FSGA 110 VU1-72 G1/2-IG ON

Part no...:10.01.06.00497

<https://www.schmalz.com/10.01.06.00497>

Home > Vacuum Technology for Automation > Vacuum Components > Vacuum Suction Cups > Suction Cups for Handling Sheet Metal > Bellows Suction Cups FSGA VU1 (1.5 Folds) > FSGA 110 VU1-72 G1/2-IG ON

### Bellows suction cup (round) with optimal adaptation to uneven surfaces



Size: 110

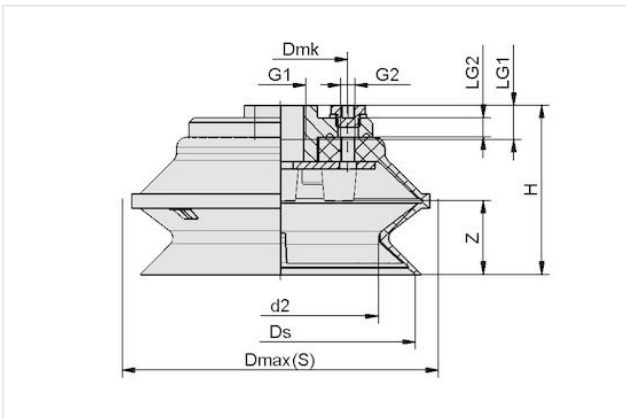
Suction cup material: Vulkollan VU1

Material hardness [Shore A]: 72 Shore A

Connection: G1/2"-F

Number of folds: 1.5

### Design Data



Attribute	Value
d2	80 mm
Dmax(S)	127 mm
Dmk	55 mm
Ds	110 mm
G1	G1/2"-F
G2	G1/8"-F
H	69 mm
LG1	14 mm
LG2	8 mm
Z (Stroke)	30 mm

Note: Acceptable dimensional tolerances for elastomer parts concerning to DIN ISO 3302-1 M3

### Technical Data

Attribute	Value
Suction force (-600mbar)	295 N
Pull-off force	420 N
Volume	350 cm <sup>3</sup>
Curve radius (min) (convex)	100 mm
Hose diameter (empf.) d	9 mm
Size	110
Nipple family	N 037

### Contact Schmalz

Schmalz Sp.z.o.o. | ul. Fabianowska 131/A1, 62-052 Komorniki, Poland | +48 61 628 67 70 | [schmalz@schmalz.pl](mailto:schmalz@schmalz.pl)

## Bellows suction cups (round)

FSGA 110 VU1-72 G1/2-IG ON

Part no...:10.01.06.00497

<https://www.schmalz.com/10.01.06.00497>

Suction cup material	Vulkollan VU1
Material hardness [Shore A]	72 Shore A
Weight	332.20 g
Product family	FSGA
Number of folds	1.50

Note: Suction force: The specified suction forces are theoretical values at a vacuum of -0.6 bar and with a dry, smooth and flat workpiece surface - they do not include a safety factor Hose diameter: The recommended hose diameter refers to a hose length of approx. 2 m

### Accessories



#### SA-SCHE 77 G1/2-IG FSGA

Part no...:10.01.06.00593

Thread G1: G1/2"-F

External diameter D: 77 mm

Construction use: Flat suction cup FSGA

### Spare parts



#### SA-SCHE 77 G1/2-IG FSGA

Part no...:10.01.06.00593

Thread G1: G1/2"-F

External diameter D: 77 mm

Construction use: Flat suction cup FSGA

## Bellows suction cups (round)

FSGA 110 VU1-72 G1/2-IG ON

Part no...:10.01.06.00497

<https://www.schmalz.com/10.01.06.00497>



### FGA 110 VU1-72 N037 ON

Part no...:10.01.06.00492

Size: 110

Suction cup material: Vulkollan VU1

Material hardness [Shore A]: 72 Shore A

Number of folds: 1.5



### FGA 110 VU1-72 N037 ON

Part no...:10.01.06.00492

Size: 110

Suction cup material: Vulkollan VU1

Material hardness [Shore A]: 72 Shore A

Number of folds: 1.5