

Bellows suction cups (round)

FSG 42 NK-45 G1/4-IG

Part no...:10.01.06.00446

<https://www.schmalz.com/10.01.06.00446>

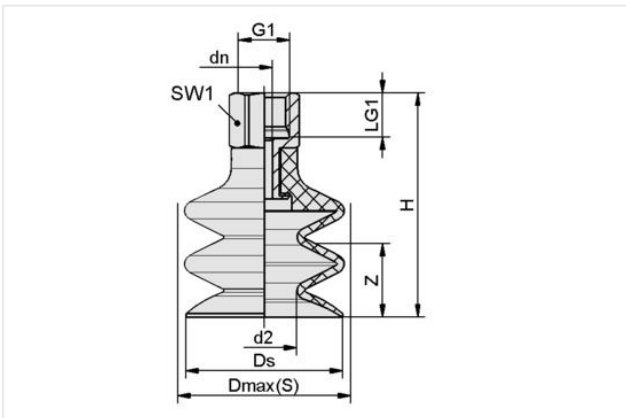
Home > Vacuum Technology for Automation > Vacuum Components > Vacuum Suction Cups > Bellows Suction Cups (Round) > Bellows Suction Cups FSG (2.5 Folds) > FSG 42 NK-45 G1/4-IG

Bellows suction cup (round) for very uneven workpieces



Size: 42
Suction cup material: Natural Rubber NK
Material hardness [Shore A]: 45 Shore A
Nipple material: Aluminum
Connection: G1/4"-F
Number of folds: 2.5
Vacuum connection: G1/4"-F

Design Data



Attribute	Value
d2	17.80 mm
dn	4.40 mm
Dmax(S)	45 mm
Ds	42.60 mm
G1	G1/4"-F
H	61 mm
LG1	12 mm
SW1	17 mm
Z (Stroke)	20 mm

Note: Acceptable dimensional tolerances for elastomer parts concerning to DIN ISO 3302-1 M3

Technical Data

Attribute	Value
Suction cup material	Natural Rubber NK
Material hardness [Shore A]	45 Shore A
Size	42
Number of folds	2.50
Connection	G1/4-IG
Curve radius (min) (convex)	75 mm
Volume	19.79 cm ³

Contact Schmalz

Schmalz Sp.z.o.o. | ul. Fabianowska 131/A1, 62-052 Komorniki, Poland | +48 61 628 67 70 | schmalz@schmalz.pl

Bellows suction cups (round)

FSG 42 NK-45 G1/4-IG

Part no...:10.01.06.00446

<https://www.schmalz.com/10.01.06.00446>

Suction force (-600mbar)	14.93 N
Pull-off force	44 N
Hose diameter (empf.) d	6 mm
Weight	27 g
Product family	FSG

Note: Suction force: The specified suction forces are theoretical values at a vacuum of -0.6 bar and with a dry, smooth and flat workpiece surface - they do not include a safety factor Pull-off force: The pull-off force of the versions made of natural rubber is reduced by about 40% Hose diameter: The recommended hose diameter refers to a hose length of approx. 2 m

Accessories



DR 42/20x5 MOS SI-15

Part no...:10.01.06.02616

External diameter D: 42 mm

Internal diameter d: 20 mm

Height H: 5 mm

Material type: Foam rubber

Sealing material: Silicone SI

Material hardness [Shore A]: 15 Shore A



FD 34 120

Part no...:10.01.06.02572

External diameter D: 34 mm

Filter pore size: 120 µm

Construction use: Bellows suction cup

Size: FG 42

Bellows suction cups (round)

FSG 42 NK-45 G1/4-IG

Part no...:10.01.06.00446

<https://www.schmalz.com/10.01.06.00446>



SU 40

Part no...:10.01.01.12856

Size: 40

Clamping range: 35.0 ... 45.0 mm

Temperature resistance: 80 °C

Spare parts



SA-NIP N018 G1/4-IG DN440

Part no...:10.01.06.01066

Nipple family: N 018

Thread G1: G1/4"-F

Length L1: 28.8 mm

Fitting length: 15 mm

Nominal diameter dn: 4.4 mm

Spanner size SW2: 5 mm

Material: Aluminum



FG 42 NK-45 N018

Part no...:10.01.06.00458

Size: 42

Suction cup material: Natural Rubber NK

Material hardness [Shore A]: 45 Shore A

Number of folds: 2.5