

Bellows suction cups (round)

FSG 32 NK-45 G1/4-IG

Part no...:10.01.06.00444

<https://www.schmalz.com/10.01.06.00444>

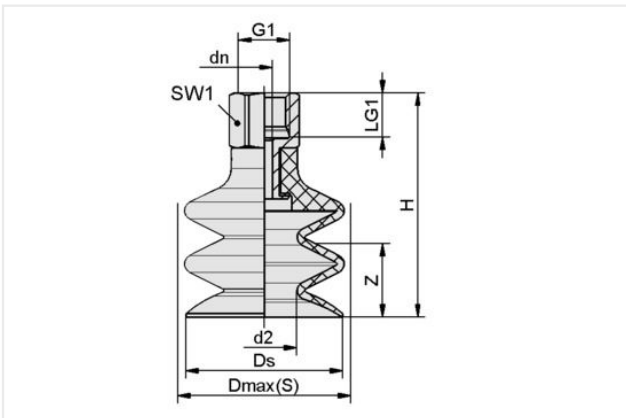
Home > Vacuum Technology for Automation > Vacuum Components > Vacuum Suction Cups > Bellows Suction Cups (Round) > Bellows Suction Cups FSG (2.5 Folds) > FSG 32 NK-45 G1/4-IG

Bellows suction cup (round) for very uneven workpieces



Size: 32
Suction cup material: Natural Rubber NK
Material hardness [Shore A]: 45 Shore A
Nipple material: Aluminum
Connection: G1/4"-F
Number of folds: 2.5
Vacuum connection: G1/4"-F

Design Data



Attribute	Value
d2	16 mm
dn	4.40 mm
Dmax(S)	33.50 mm
Ds	32 mm
G1	G1/4"-F
H	52.50 mm
LG1	12 mm
SW1	17 mm
Z (Stroke)	15 mm

Note: Acceptable dimensional tolerances for elastomer parts concerning to DIN ISO 3302-1 M3

Technical Data

Attribute	Value
Suction cup material	Natural Rubber NK
Material hardness [Shore A]	45 Shore A
Size	32
Number of folds	2.50
Connection	G1/4-IG
Curve radius (min) (convex)	35 mm
Volume	10 cm ³

Contact Schmalz

Schmalz Sp.z.o.o. | ul. Fabianowska 131/A1, 62-052 Komorniki, Poland | +48 61 628 67 70 | schmalz@schmalz.pl

Bellows suction cups (round)

FSG 32 NK-45 G1/4-IG

Part no...:10.01.06.00444

<https://www.schmalz.com/10.01.06.00444>

Suction force (-600mbar)	12.06 N
Pull-off force	36.90 N
Hose diameter (empf.) d	4 mm
Weight	18 g
Product family	FSG

Note: Suction force: The specified suction forces are theoretical values at a vacuum of -0.6 bar and with a dry, smooth and flat workpiece surface - they do not include a safety factor Pull-off force: The pull-off force of the versions made of natural rubber is reduced by about 40% Hose diameter: The recommended hose diameter refers to a hose length of approx. 2 m

Accessories



DR 32/19x2 MOS SI-15

Part no...:10.01.06.02615

External diameter D: 32 mm

Internal diameter d: 19 mm

Height H: 2 mm

Material type: Foam rubber

Sealing material: Silicone SI

Material hardness [Shore A]: 15 Shore A



FD 27 120

Part no...:10.01.06.02571

External diameter D: 27 mm

Filter pore size: 120 µm

Construction use: Bellows suction cup

Size: FG 32

Bellows suction cups (round)

FSG 32 NK-45 G1/4-IG

Part no...:10.01.06.00444

<https://www.schmalz.com/10.01.06.00444>



SPI 32 PEEK

Part no...:10.01.06.03287

Size: 32

Material: Polyetheretherketon



SU 30

Part no...:10.01.01.12889

Size: 30

Clamping range: 27.0 ... 35.0 mm

Temperature resistance: 80 °C

Spare parts



SA-NIP N018 G1/4-IG DN440

Part no...:10.01.06.01066

Nipple family: N 018

Thread G1: G1/4"-F

Length L1: 28.8 mm

Fitting length: 15 mm

Nominal diameter dn: 4.4 mm

Spanner size SW2: 5 mm

Material: Aluminum

Bellows suction cups (round)

FSG 32 NK-45 G1/4-IG

Part no...:10.01.06.00444

<https://www.schmalz.com/10.01.06.00444>



FG 32 NK-45 N018

Part no...:10.01.06.00457

Size: 32

Suction cup material: Natural Rubber NK

Material hardness [Shore A]: 45 Shore A

Number of folds: 2.5