

Bellows suction cups (round)

FSG 25 NK-45 G1/8-AG

Part no...:10.01.06.00443

<https://www.schmalz.com/10.01.06.00443>

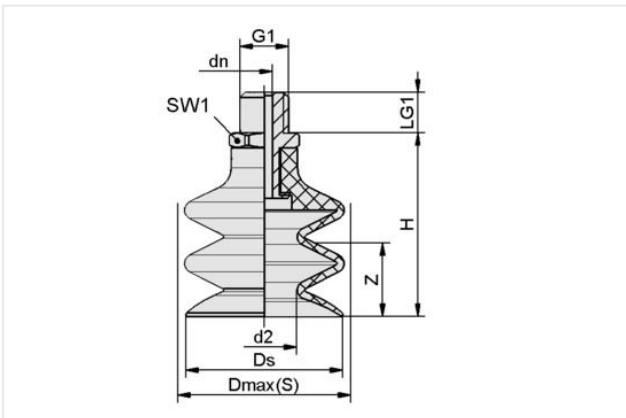
Home > Vacuum Technology for Automation > Vacuum Components > Vacuum Suction Cups > Bellows Suction Cups (Round) > Bellows Suction Cups FSG (2.5 Folds) > FSG 25 NK-45 G1/8-AG

Bellows suction cup (round) for very uneven workpieces



Size: 25
Suction cup material: Natural Rubber NK
Material hardness [Shore A]: 45 Shore A
Nipple material: Aluminum
Connection: G1/8"-M
Number of folds: 2.5
Vacuum connection: G1/8"-M

Design Data



Attribute	Value
d2	10 mm
dn	3.50 mm
Dmax(S)	26 mm
Ds	23 mm
G1	G1/8"-M
H	40 mm
LG1	7.50 mm
SW1	14 mm
Z (Stroke)	18 mm

Note: Acceptable dimensional tolerances for elastomer parts concerning to DIN ISO 3302-1 M3

Technical Data

Attribute	Value
Suction cup material	Natural Rubber NK
Material hardness [Shore A]	45 Shore A
Size	25
Number of folds	2.50
Connection	G1/8-AG
Curve radius (min) (convex)	30 mm
Volume	5.22 cm ³

Contact Schmalz

Schmalz Sp.z.o.o. | ul. Fabianowska 131/A1, 62-052 Komorniki, Poland | +48 61 628 67 70 | schmalz@schmalz.pl

Bellows suction cups (round)

FSG 25 NK-45 G1/8-AG

Part no...:10.01.06.00443

<https://www.schmalz.com/10.01.06.00443>

Suction force (-600mbar)	4.71 N
Pull-off force	19 N
Hose diameter (empf.) d	4 mm
Weight	8 g
Product family	FSG

Note: Suction force: The specified suction forces are theoretical values at a vacuum of -0.6 bar and with a dry, smooth and flat workpiece surface - they do not include a safety factor Pull-off force: The pull-off force of the versions made of natural rubber is reduced by about 40% Hose diameter: The recommended hose diameter refers to a hose length of approx. 2 m

Accessories



DR 22.5/13x2 MOS SI-15

Part no...:10.01.06.02614

External diameter D: 22.5 mm

Internal diameter d: 13 mm

Height H: 2 mm

Material type: Foam rubber

Sealing material: Silicone SI

Material hardness [Shore A]: 15 Shore A



FD 18 120

Part no...:10.01.06.02567

External diameter D: 18 mm

Filter pore size: 120 µm

Construction use: Bellows suction cup

Size: FG25/FGA25

Bellows suction cups (round)

FSG 25 NK-45 G1/8-AG

Part no...:10.01.06.00443

<https://www.schmalz.com/10.01.06.00443>



SPI 25 PEEK

Part no...:10.01.06.03286

Size: 25

Material: Polyetheretherketon

Spare parts



SA-NIP N016 G1/8-AG DN350

Part no...:10.01.06.05735

Nipple family: N 016

Thread G1: G1/8"-M

Length L1: 20 mm

Fitting length: 6 mm

Nominal diameter dn: 3.5 mm

Material: Aluminum



FG 25 NK-45 N016

Part no...:10.01.06.00456

Size: 25

Suction cup material: Natural Rubber NK

Material hardness [Shore A]: 45 Shore A

Number of folds: 2.5