

## Bellows suction cups (round)

FSG 20 NK-45 G1/8-AG

Part no...:10.01.06.00441

<https://www.schmalz.com/10.01.06.00441>

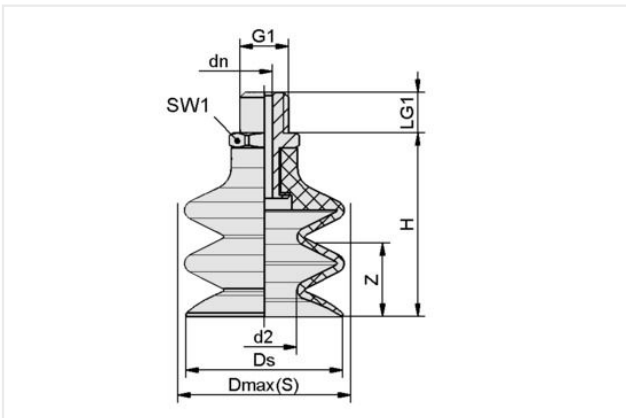
Home > Vacuum Technology for Automation > Vacuum Components > Vacuum Suction Cups > Bellows Suction Cups (Round) > Bellows Suction Cups FSG (2.5 Folds) > FSG 20 NK-45 G1/8-AG

### Bellows suction cup (round) for very uneven workpieces



Size: 20
Suction cup material: Natural Rubber NK
Material hardness [Shore A]: 45 Shore A
Nipple material: Aluminum
Connection: G1/8"-M
Number of folds: 2.5
Vacuum connection: G1/8"-M

### Design Data



Attribute	Value
d2	10.50 mm
dn	3.50 mm
Dmax(S)	21 mm
Ds	20 mm
G1	G1/8"-M
H	28.10 mm
LG1	7.50 mm
SW1	14 mm
Z (Stroke)	9 mm

Note: Acceptable dimensional tolerances for elastomer parts concerning to DIN ISO 3302-1 M3

### Technical Data

Attribute	Value
Suction cup material	Natural Rubber NK
Material hardness [Shore A]	45 Shore A
Size	20
Number of folds	2.50
Connection	G1/8-AG
Curve radius (min) (convex)	30 mm
Volume	2.30 cm <sup>3</sup>

### Contact Schmalz

Schmalz Sp.z.o.o. | ul. Fabianowska 131/A1, 62-052 Komorniki, Poland | +48 61 628 67 70 | [schmalz@schmalz.pl](mailto:schmalz@schmalz.pl)

## Bellows suction cups (round)

FSG 20 NK-45 G1/8-AG

Part no...:10.01.06.00441

<https://www.schmalz.com/10.01.06.00441>

Suction force (-600mbar)	5.20 N
Pull-off force	12.10 N
Hose diameter (empf.) d	4 mm
Weight	6 g
Product family	FSG

Note: Suction force: The specified suction forces are theoretical values at a vacuum of -0.6 bar and with a dry, smooth and flat workpiece surface - they do not include a safety factor Pull-off force: The pull-off force of the versions made of natural rubber is reduced by about 40% Hose diameter: The recommended hose diameter refers to a hose length of approx. 2 m

### Accessories



#### FD 16 120

Part no...:10.01.06.02565

External diameter D: 16 mm

Filter pore size: 120 µm

Construction use: Bellows suction cup

Size: FG20/FGA20



#### SPI 21 PEEK

Part no...:10.01.06.03285

Size: 21

Material: Polyetheretherketon

### Spare parts

#### Contact Schmalz

Schmalz Sp.z.o.o. | ul. Fabianowska 131/A1, 62-052 Komorniki, Poland | +48 61 628 67 70 | [schmalz@schmalz.pl](mailto:schmalz@schmalz.pl)

## Bellows suction cups (round)

FSG 20 NK-45 G1/8-AG

Part no...:10.01.06.00441

<https://www.schmalz.com/10.01.06.00441>



### SA-NIP N016 G1/8-AG DN350

Part no...:10.01.06.05735

Nipple family: N 016

Thread G1: G1/8"-M

Length L1: 20 mm

Fitting length: 6 mm

Nominal diameter dn: 3.5 mm

Material: Aluminum



### FG 20 NK-45 N016

Part no...:10.01.06.00455

Size: 20

Suction cup material: Natural Rubber NK

Material hardness [Shore A]: 45 Shore A

Number of folds: 2.5