

## Bellows suction cups (round)

FSG 20 NK-45 G1/8-IG

Part no...:10.01.06.00440

<https://www.schmalz.com/10.01.06.00440>

Home > Vacuum Technology for Automation > Vacuum Components > Vacuum Suction Cups > Bellows Suction Cups (Round) > Bellows Suction Cups FSG (2.5 Folds) > FSG 20 NK-45 G1/8-IG

### Bellows suction cup (round) for very uneven workpieces



Size: 20

Suction cup material: Natural Rubber NK

Material hardness [Shore A]: 45 Shore A

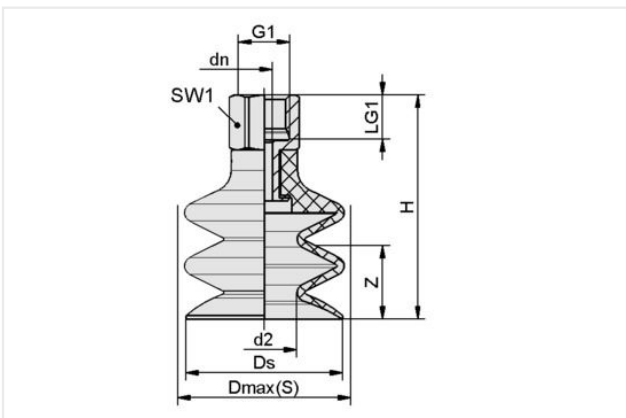
Nipple material: Aluminum

Connection: G1/8"-F

Number of folds: 2.5

Vacuum connection: G1/8"-F

### Design Data



#### Attribute

#### Value

d2 10.50 mm

dn 3.50 mm

Dmax(S) 21 mm

Ds 20 mm

G1 G1/8"-F

H 34.10 mm

LG1 8.50 mm

SW1 14 mm

Z (Stroke) 9 mm

Note: Acceptable dimensional tolerances for elastomer parts concerning to DIN ISO 3302-1 M3

### Technical Data

| Attribute                   | Value                |
|-----------------------------|----------------------|
| Suction cup material        | Natural Rubber NK    |
| Material hardness [Shore A] | 45 Shore A           |
| Size                        | 20                   |
| Number of folds             | 2.50                 |
| Connection                  | G1/8-IG              |
| Curve radius (min) (convex) | 30 mm                |
| Volume                      | 2.30 cm <sup>3</sup> |

### Contact Schmalz

Schmalz Sp.z.o.o. | ul. Fabianowska 131/A1, 62-052 Komorniki, Poland | +48 61 628 67 70 | [schmalz@schmalz.pl](mailto:schmalz@schmalz.pl)

## Bellows suction cups (round)

FSG 20 NK-45 G1/8-IG

Part no...:10.01.06.00440

<https://www.schmalz.com/10.01.06.00440>

|                          |         |
|--------------------------|---------|
| Suction force (-600mbar) | 5.20 N  |
| Pull-off force           | 12.10 N |
| Hose diameter (empf.) d  | 4 mm    |
| Weight                   | 6.40 g  |
| Product family           | FSG     |

Note: Suction force: The specified suction forces are theoretical values at a vacuum of -0.6 bar and with a dry, smooth and flat workpiece surface - they do not include a safety factor Pull-off force: The pull-off force of the versions made of natural rubber is reduced by about 40% Hose diameter: The recommended hose diameter refers to a hose length of approx. 2 m

### Accessories



#### FD 16 120

Part no...:10.01.06.02565

External diameter D: 16 mm

Filter pore size: 120 µm

Construction use: Bellows suction cup

Size: FG20/FGA20



#### SPI 21 PEEK

Part no...:10.01.06.03285

Size: 21

Material: Polyetheretherketon

### Spare parts

#### Contact Schmalz

Schmalz Sp.z.o.o. | ul. Fabianowska 131/A1, 62-052 Komorniki, Poland | +48 61 628 67 70 | [schmalz@schmalz.pl](mailto:schmalz@schmalz.pl)

## Bellows suction cups (round)

FSG 20 NK-45 G1/8-IG

Part no...:10.01.06.00440

<https://www.schmalz.com/10.01.06.00440>



### SA-NIP N016 G1/8-IG DN350

Part no...:10.01.06.05731

Nipple family: N 016

Thread G1: G1/8"-F

Length L1: 18.5 mm

Fitting length: 12 mm

Nominal diameter dn: 3.5 mm

Material: Aluminum



### FG 20 NK-45 N016

Part no...:10.01.06.00455

Size: 20

Suction cup material: Natural Rubber NK

Material hardness [Shore A]: 45 Shore A

Number of folds: 2.5