

Bellows suction cups (round)

FSG 20 NK-45 M5-AG

Part no...:10.01.06.00439

<https://www.schmalz.com/10.01.06.00439>

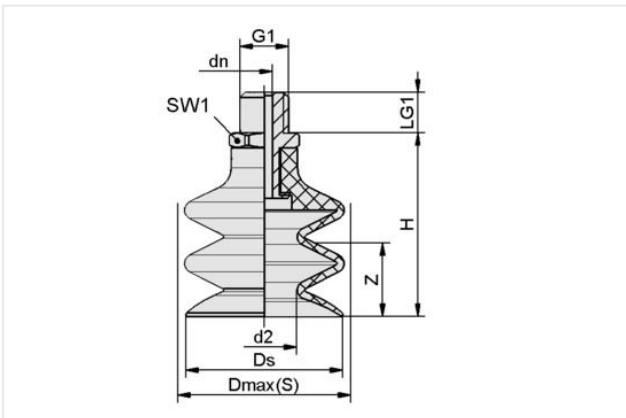
Home > Vacuum Technology for Automation > Vacuum Components > Vacuum Suction Cups > Bellows Suction Cups (Round) > Bellows Suction Cups FSG (2.5 Folds) > FSG 20 NK-45 M5-AG

Bellows suction cup (round) for very uneven workpieces



| |
|---|
| Size: 20 |
| Suction cup material: Natural Rubber NK |
| Material hardness [Shore A]: 45 Shore A |
| Nipple material: Aluminum |
| Connection: M5-M |
| Number of folds: 2.5 |
| Vacuum connection: M5-M |

Design Data



| Attribute | Value |
|------------|----------|
| d2 | 10.50 mm |
| dn | 2.50 mm |
| Dmax(S) | 21 mm |
| Ds | 20 mm |
| G1 | M5-M |
| H | 27.10 mm |
| LG1 | 5 mm |
| SW1 | 7 mm |
| Z (Stroke) | 9 mm |

Note: Acceptable dimensional tolerances for elastomer parts concerning to DIN ISO 3302-1 M3

Technical Data

| Attribute | Value |
|-----------------------------|----------------------|
| Suction cup material | Natural Rubber NK |
| Material hardness [Shore A] | 45 Shore A |
| Size | 20 |
| Number of folds | 2.50 |
| Connection | M5-AG |
| Curve radius (min) (convex) | 30 mm |
| Volume | 2.30 cm ³ |

Contact Schmalz

Schmalz Sp.z.o.o. | ul. Fabianowska 131/A1, 62-052 Komorniki, Poland | +48 61 628 67 70 | schmalz@schmalz.pl

Bellows suction cups (round)

FSG 20 NK-45 M5-AG

Part no...:10.01.06.00439

<https://www.schmalz.com/10.01.06.00439>

| | |
|--------------------------|---------|
| Suction force (-600mbar) | 5.20 N |
| Pull-off force | 12.10 N |
| Hose diameter (empf.) d | 2 mm |
| Weight | 3.30 g |
| Product family | FSG |

Note: Suction force: The specified suction forces are theoretical values at a vacuum of -0.6 bar and with a dry, smooth and flat workpiece surface - they do not include a safety factor Pull-off force: The pull-off force of the versions made of natural rubber is reduced by about 40% Hose diameter: The recommended hose diameter refers to a hose length of approx. 2 m

Accessories



FD 16 120

Part no...:10.01.06.02565

External diameter D: 16 mm

Filter pore size: 120 µm

Construction use: Bellows suction cup

Size: FG20/FGA20



SPI 21 PEEK

Part no...:10.01.06.03285

Size: 21

Material: Polyetheretherketon

Spare parts

Contact Schmalz

Schmalz Sp.z.o.o. | ul. Fabianowska 131/A1, 62-052 Komorniki, Poland | +48 61 628 67 70 | schmalz@schmalz.pl

Bellows suction cups (round)

FSG 20 NK-45 M5-AG

Part no...:10.01.06.00439

<https://www.schmalz.com/10.01.06.00439>



SA-NIP N016 M5-AG DN250

Part no...:10.01.06.00123

Nipple family: N 016

Thread G1: M5-M

Length L1: 16 mm

Fitting length: 5 mm

Nominal diameter dn: 2.5 mm

Material: Aluminum



FG 20 NK-45 N016

Part no...:10.01.06.00455

Size: 20

Suction cup material: Natural Rubber NK

Material hardness [Shore A]: 45 Shore A

Number of folds: 2.5