

## Bellows suction cups (round)

FSG 14 NK-45 G1/8-IG

Part no...:10.01.06.00434

<https://www.schmalz.com/10.01.06.00434>

Home > Vacuum Technology for Automation > Vacuum Components > Vacuum Suction Cups > Bellows Suction Cups (Round) > Bellows Suction Cups FSG (2.5 Folds) > FSG 14 NK-45 G1/8-IG

### Bellows suction cup (round) for very uneven workpieces



Size: 14

Suction cup material: Natural Rubber NK

Material hardness [Shore A]: 45 Shore A

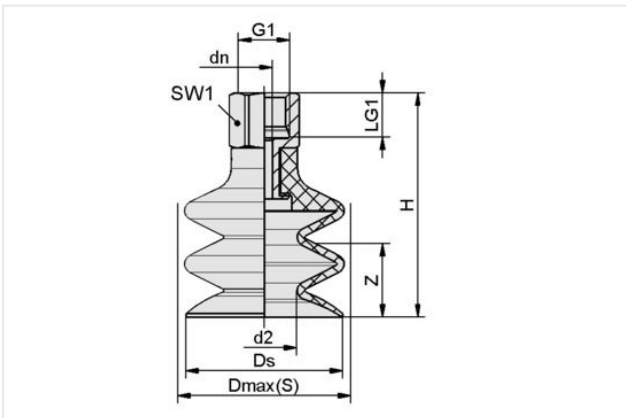
Nipple material: Aluminum

Connection: G1/8"-F

Number of folds: 2.5

Vacuum connection: G1/8"-F

### Design Data



Attribute	Value
d2	5.40 mm
dn	3.50 mm
Dmax(S)	15.50 mm
Ds	14.50 mm
G1	G1/8"-F
H	34.80 mm
LG1	8.50 mm
SW1	14 mm
Z (Stroke)	9 mm

Note: Acceptable dimensional tolerances for elastomer parts concerning to DIN ISO 3302-1 M3

### Technical Data

Attribute	Value
Suction cup material	Natural Rubber NK
Material hardness [Shore A]	45 Shore A
Size	14
Number of folds	2.50
Connection	G1/8-IG
Curve radius (min) (convex)	15 mm
Volume	0.98 cm <sup>3</sup>

### Contact Schmalz

Schmalz Sp.z.o.o. | ul. Fabianowska 131/A1, 62-052 Komorniki, Poland | +48 61 628 67 70 | [schmalz@schmalz.pl](mailto:schmalz@schmalz.pl)

## Bellows suction cups (round)

FSG 14 NK-45 G1/8-IG

Part no...:10.01.06.00434

<https://www.schmalz.com/10.01.06.00434>

Suction force (-600mbar)	1.37 N
Pull-off force	5.70 N
Hose diameter (empf.) d	4 mm
Weight	5.70 g
Product family	FSG

Note: Suction force: The specified suction forces are theoretical values at a vacuum of -0.6 bar and with a dry, smooth and flat workpiece surface - they do not include a safety factor Pull-off force: The pull-off force of the versions made of natural rubber is reduced by about 40% Hose diameter: The recommended hose diameter refers to a hose length of approx. 2 m

### Accessories



#### SPI 14 PEEK

Part no...:10.01.06.03282

Size: 14

Material: Polyetheretherketon

### Spare parts



#### SA-NIP N016 G1/8-IG DN350

Part no...:10.01.06.05731

Nipple family: N 016

Thread G1: G1/8"-F

Length L1: 18.5 mm

Fitting length: 12 mm

Nominal diameter dn: 3.5 mm

Material: Aluminum

## Bellows suction cups (round)

FSG 14 NK-45 G1/8-IG

Part no...:10.01.06.00434

<https://www.schmalz.com/10.01.06.00434>



### FG 14 NK-45 N016

Part no...:10.01.06.00453

Size: 14

Suction cup material: Natural Rubber NK

Material hardness [Shore A]: 45 Shore A

Number of folds: 2.5