

## Bellows suction cups (round)

FSG 9 NK-45 G1/8-AG

Part no...:10.01.06.00432

<https://www.schmalz.com/10.01.06.00432>

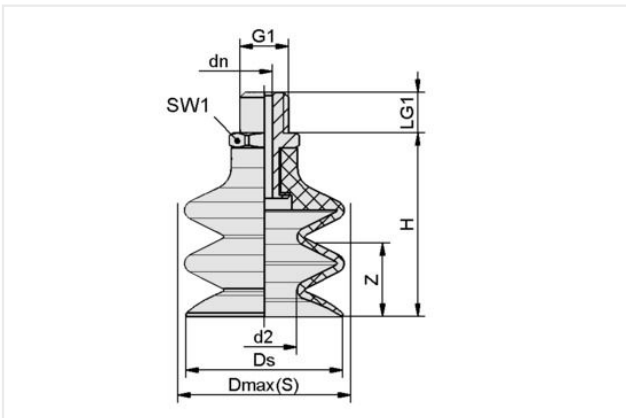
Home > Vacuum Technology for Automation > Vacuum Components > Vacuum Suction Cups > Bellows Suction Cups (Round) > Bellows Suction Cups FSG (2.5 Folds) > FSG 9 NK-45 G1/8-AG

### Bellows suction cup (round) for very uneven workpieces



|   |
|---|
| Size: 9                                 |
| Suction cup material: Natural Rubber NK |
| Material hardness [Shore A]: 45 Shore A |
| Nipple material: Aluminum               |
| Connection: G1/8"-M                     |
| Number of folds: 2.5                    |
| Vacuum connection: G1/8"-M              |

### Design Data



| Attribute  | Value   |
|------------|---------|
| d2         | 4.10 mm |
| dn         | 3.50 mm |
| Dmax(S)    | 9.50 mm |
| Ds         | 9 mm    |
| G1         | G1/8"-M |
| H          | 21 mm   |
| LG1        | 7.50 mm |
| SW1        | 14 mm   |
| Z (Stroke) | 3 mm    |

Note: Acceptable dimensional tolerances for elastomer parts concerning to DIN ISO 3302-1 M3

### Technical Data

| Attribute                   | Value                |
|-----------------------------|----------------------|
| Suction cup material        | Natural Rubber NK    |
| Material hardness [Shore A] | 45 Shore A           |
| Size                        | 9                    |
| Number of folds             | 2.50                 |
| Connection                  | G1/8-AG              |
| Curve radius (min) (convex) | 10 mm                |
| Volume                      | 0.15 cm <sup>3</sup> |

### Contact Schmalz

Schmalz Sp.z.o.o. | ul. Fabianowska 131/A1, 62-052 Komorniki, Poland | +48 61 628 67 70 | [schmalz@schmalz.pl](mailto:schmalz@schmalz.pl)

## Bellows suction cups (round)

FSG 9 NK-45 G1/8-AG

Part no...:10.01.06.00432

<https://www.schmalz.com/10.01.06.00432>

|                          |        |
|--------------------------|--------|
| Suction force (-600mbar) | 0.79 N |
| Pull-off force           | 2.30 N |
| Hose diameter (empf.) d  | 4 mm   |
| Weight                   | 4.50 g |
| Product family           | FSG    |

Note: Suction force: The specified suction forces are theoretical values at a vacuum of -0.6 bar and with a dry, smooth and flat workpiece surface - they do not include a safety factor Pull-off force: The pull-off force of the versions made of natural rubber is reduced by about 40% Hose diameter: The recommended hose diameter refers to a hose length of approx. 2 m

### Accessories



#### SPI 9 PEEK

Part no...:10.01.06.03280

Size: 9

Material: Polyetheretherketon

### Spare parts



#### SA-NIP N016 G1/8-AG DN350

Part no...:10.01.06.05735

Nipple family: N 016

Thread G1: G1/8"-M

Length L1: 20 mm

Fitting length: 6 mm

Nominal diameter dn: 3.5 mm

Material: Aluminum

## Bellows suction cups (round)

FSG 9 NK-45 G1/8-AG

Part no...:10.01.06.00432

<https://www.schmalz.com/10.01.06.00432>



**FG 9 NK-45 N016**

Part no...:10.01.06.00452

Size: 9

Suction cup material: Natural Rubber NK

Material hardness [Shore A]: 45 Shore A

Number of folds: 2.5