

## Bellows suction cups (round)

FSGA 20 NK-45 M5-AG

Part no...:10.01.06.00394

<https://www.schmalz.com/10.01.06.00394>

Home > Vacuum Technology for Automation > Vacuum Components > Vacuum Suction Cups > Bellows Suction Cups (Round) > Bellows Suction Cups FSGA (1.5 Folds) > FSGA 20 NK-45 M5-AG

### Bellows suction cup (round) with optimal adaptation to uneven surfaces



Size: 20

Suction cup material: Natural Rubber NK

Material hardness [Shore A]: 45 Shore A

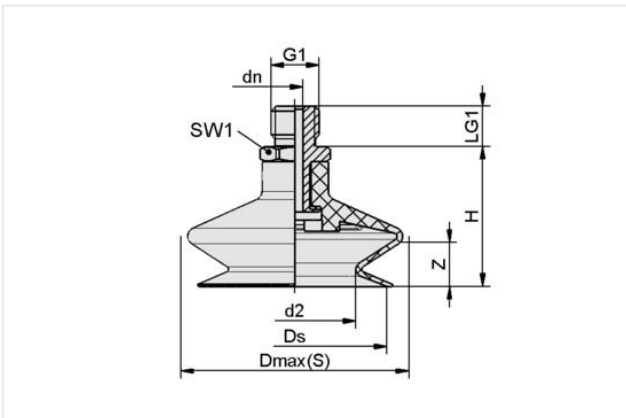
Nipple material: Aluminum

Connection: M5-M

Number of folds: 1.5

Vacuum connection: M5-M

### Design Data



Attribute	Value
d2	11 mm
Dmax(S)	21 mm
dn	2.50 mm
Ds	18.10 mm
G1	M5-M
H	20.20 mm
LG1	5 mm
SW1	7 mm
Z (Stroke)	5 mm

Note: Acceptable dimensional tolerances for elastomer parts concerning to DIN ISO 3302-1 M3

### Technical Data

Attribute	Value
Suction cup material	Natural Rubber NK
Material hardness [Shore A]	45 Shore A
Size	20
Number of folds	1.50
Connection	M5-AG
Curve radius (min) (convex)	20 mm
Volume	1.15 cm <sup>3</sup>

### Contact Schmalz

Schmalz Sp.z.o.o. | ul. Fabianowska 131/A1, 62-052 Komorniki, Poland | +48 61 628 67 70 | [schmalz@schmalz.pl](mailto:schmalz@schmalz.pl)

## Bellows suction cups (round)

FSGA 20 NK-45 M5-AG

Part no...:10.01.06.00394

<https://www.schmalz.com/10.01.06.00394>

Suction force (-600mbar)	4.70 N
Pull-off force	10.70 N
Hose diameter (empf.) d	2 mm
Weight	2.70 g
Product family	FSGA

Note: Suction force: The specified suction forces are theoretical values at a vacuum of -0.6 bar and with a dry, smooth and flat workpiece surface - they do not include a safety factor Pull-off force: The pull-off force of the versions made of natural rubber is reduced by about 40% Hose diameter: The recommended hose diameter refers to a hose length of approx. 2 m

### Spare parts



#### SA-NIP N016 M5-AG DN250

Part no...:10.01.06.00123

Nipple family: N 016

Thread G1: M5-M

Length L1: 16 mm

Fitting length: 5 mm

Nominal diameter dn: 2.5 mm

Material: Aluminum



#### FGA 20 NK-45 N016

Part no...:10.01.06.00375

Size: 20

Suction cup material: Natural Rubber NK

Material hardness [Shore A]: 45 Shore A

Number of folds: 1.5