

Bellows suction cups (round)

FSGA 50 VU1-72 G1/4-AG ON

Part no...:10.01.06.00307

<https://www.schmalz.com/10.01.06.00307>

Home > Vacuum Technology for Automation > Vacuum Components > Vacuum Suction Cups > Suction Cups for Handling Sheet Metal > Bellows Suction Cups FSGA VU1 (1.5 Folds) > FSGA 50 VU1-72 G1/4-AG ON

Bellows suction cup (round) with optimal adaptation to uneven surfaces



Size: 50

Suction cup material: Vulkollan VU1

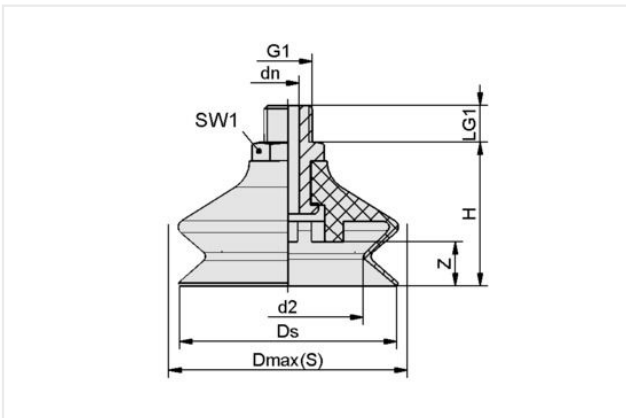
Material hardness [Shore A]: 72 Shore A

Nipple material: Aluminum

Connection: G1/4"-M

Number of folds: 1.5

Design Data



Attribute	Value
d2	33.50 mm
dn	3.50 mm
Dmax(S)	53 mm
Ds	47 mm
G1	G1/4"-M
H	37.50 mm
LG1	10 mm
SW1	17 mm
Z (Stroke)	14.50 mm

Note: Acceptable dimensional tolerances for elastomer parts concerning to DIN ISO 3302-1 M3

Technical Data

Attribute	Value
Suction force (-600mbar)	52 N
Pull-off force	88 N
Volume	22.60 cm ³
Curve radius (min) (convex)	40 mm
Hose diameter (empf.) d	6 mm
Size	50
Nipple family	N 011

Contact Schmalz

Schmalz Sp.z.o.o. | ul. Fabianowska 131/A1, 62-052 Komorniki, Poland | +48 61 628 67 70 | schmalz@schmalz.pl

Bellows suction cups (round)

FSGA 50 VU1-72 G1/4-AG ON

Part no...:10.01.06.00307

<https://www.schmalz.com/10.01.06.00307>

Suction cup material	Vulkollan VU1
Material hardness [Shore A]	72 Shore A
Weight	25.70 g
Product family	FSGA
Number of folds	1.50

Note: Suction force: The specified suction forces are theoretical values at a vacuum of -0.6 bar and with a dry, smooth and flat workpiece surface - they do not include a safety factor Hose diameter: The recommended hose diameter refers to a hose length of approx. 2 m

Spare parts



SA-NIP N011 G1/4-AG DN350

Part no...:10.01.01.10663

Nipple family: N 011

Thread G1: G1/4"-M

Length L1: 24.5 mm

Length L: 5 mm

Fitting length: 5 mm

Nominal diameter dn: 3.5 mm

Material: Aluminum

Spanner size SW2: 5 mm



FGA 50 VU1-72 N011 ON

Part no...:10.01.06.00302

Size: 50

Suction cup material: Vulkollan VU1

Material hardness [Shore A]: 72 Shore A

Number of folds: 1.5