

## Bellows suction cups (round)

FSGA 60 VU1-72 G1/4-IG

Part no...:10.01.06.00240

<https://www.schmalz.com/10.01.06.00240>

Home > Vacuum Technology for Automation > Vacuum Components > Vacuum Suction Cups > Suction Cups for Handling Sheet Metal > Bellows Suction Cups FSGA VU1 (1.5 Folds) > FSGA 60 VU1-72 G1/4-IG

### Bellows suction cup (round) with optimal adaptation to uneven surfaces



Size: 60

Suction cup material: Vulkollan VU1

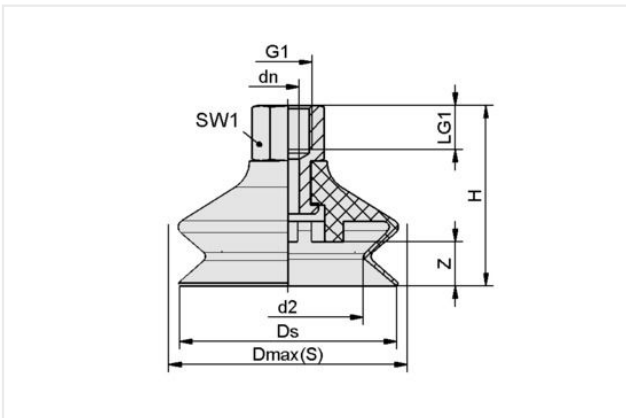
Material hardness [Shore A]: 72 Shore A

Nipple material: Aluminum

Connection: G1/4"-F

Number of folds: 1.5

### Design Data



Attribute	Value
d2	41 mm
dn	6 mm
Dmax(S)	61.50 mm
Ds	59 mm
G1	G1/4"-F
H	49 mm
LG1	12 mm
SW1	17 mm
Z (Stroke)	12.50 mm

Note: Acceptable dimensional tolerances for elastomer parts concerning to DIN ISO 3302-1 M3

### Technical Data

Attribute	Value
Suction force (-600mbar)	75 N
Pull-off force	120 N
Volume	31 cm <sup>3</sup>
Curve radius (min) (convex)	50 mm
Hose diameter (empf.) d	6 mm
Size	60
Nipple family	N 014

### Contact Schmalz

Schmalz Sp.z.o.o. | ul. Fabianowska 131/A1, 62-052 Komorniki, Poland | +48 61 628 67 70 | [schmalz@schmalz.pl](mailto:schmalz@schmalz.pl)

## Bellows suction cups (round)

FSGA 60 VU1-72 G1/4-IG

Part no...:10.01.06.00240

<https://www.schmalz.com/10.01.06.00240>

Suction cup material	Vulkollan VU1
Material hardness [Shore A]	72 Shore A
Weight	38.20 g
Product family	FSGA
Number of folds	1.50

Note: Suction force: The specified suction forces are theoretical values at a vacuum of -0.6 bar and with a dry, smooth and flat workpiece surface - they do not include a safety factor Hose diameter: The recommended hose diameter refers to a hose length of approx. 2 m

### Spare parts



#### SA-NIP N014 G1/4-IG DN600

Part no...:10.01.06.00181

Thread G1: G1/4"-F

Fitting length: 15 mm

Material: Aluminum

External diameter D: 16.5 mm

Spanner size SW2: 6 mm



#### FGA 60 VU1-72 N014

Part no...:10.01.06.00178

Size: 60

Suction cup material: Vulkollan VU1

Material hardness [Shore A]: 72 Shore A

Number of folds: 1.5

## Bellows suction cups (round)

FSGA 60 VU1-72 G1/4-IG

Part no...:10.01.06.00240

<https://www.schmalz.com/10.01.06.00240>



### FGA 60 VU1-72 N014

Part no...:10.01.06.00178

Size: 60

Suction cup material: Vulkollan VU1

Material hardness [Shore A]: 72 Shore A

Number of folds: 1.5