

## Bellows suction cups (round)

FSG 60 VU1-72 G1/4-AG

Part no...:10.01.06.00238

<https://www.schmalz.com/10.01.06.00238>

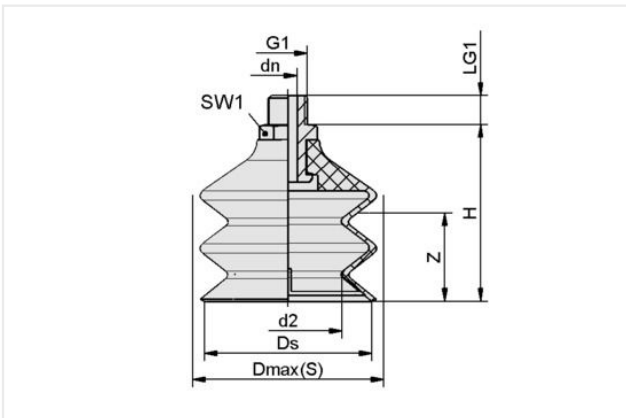
Home > Vacuum Technology for Automation > Vacuum Components > Vacuum Suction Cups > Suction Cups for Handling Sheet Metal > Bellows Suction Cups FSG VU1 (2.5 Folds) > FSG 60 VU1-72 G1/4-AG

### Bellows suction cup (round) for very uneven workpieces



Size: 60
Suction cup material: Vulkollan VU1
Material hardness [Shore A]: 72 Shore A
Nipple material: Aluminum
Connection: G1/4"-M
Number of folds: 2.5

### Design Data



Attribute	Value
d2	36 mm
dn	6 mm
Dmax(S)	62.50 mm
Ds	59 mm
G1	G1/4"-M
H	60 mm
LG1	10 mm
SW1	17 mm
Z (Stroke)	30 mm

Note: Acceptable dimensional tolerances for elastomer parts concerning to DIN ISO 3302-1 M3

### Technical Data

Attribute	Value
Suction force (-600mbar)	61 N
Pull-off force	100 N
Volume	61 cm <sup>3</sup>
Curve radius (min) (convex)	50 mm
Hose diameter (empf.) d	6 mm
Size	60
Nipple family	N 014

### Contact Schmalz

Schmalz Sp.z.o.o. | ul. Fabianowska 131/A1, 62-052 Komorniki, Poland | +48 61 628 67 70 | [schmalz@schmalz.pl](mailto:schmalz@schmalz.pl)

## Bellows suction cups (round)

FSG 60 VU1-72 G1/4-AG

Part no...:10.01.06.00238

<https://www.schmalz.com/10.01.06.00238>

Suction cup material	Vulkollan VU1
Material hardness [Shore A]	72 Shore A
Weight	46.80 g
Number of folds	2.50
Product family	FSG

Note: Suction force: The specified suction forces are theoretical values at a vacuum of -0.6 bar and with a dry, smooth and flat workpiece surface - they do not include a safety factor Hose diameter: The recommended hose diameter refers to a hose length of approx. 2 m

### Spare parts



#### SA-NIP N014 G1/4-AG DN600

Part no...:10.01.06.00184

Thread G1: G1/4"-M

Fitting length: 5 mm

Material: Aluminum

External diameter D: 16.5 mm

Spanner size SW2: 6 mm



#### FG 60 VU1-72 N014

Part no...:10.01.06.00174

Size: 60

Suction cup material: Vulkollan VU1

Material hardness [Shore A]: 72 Shore A

Number of folds: 2.5